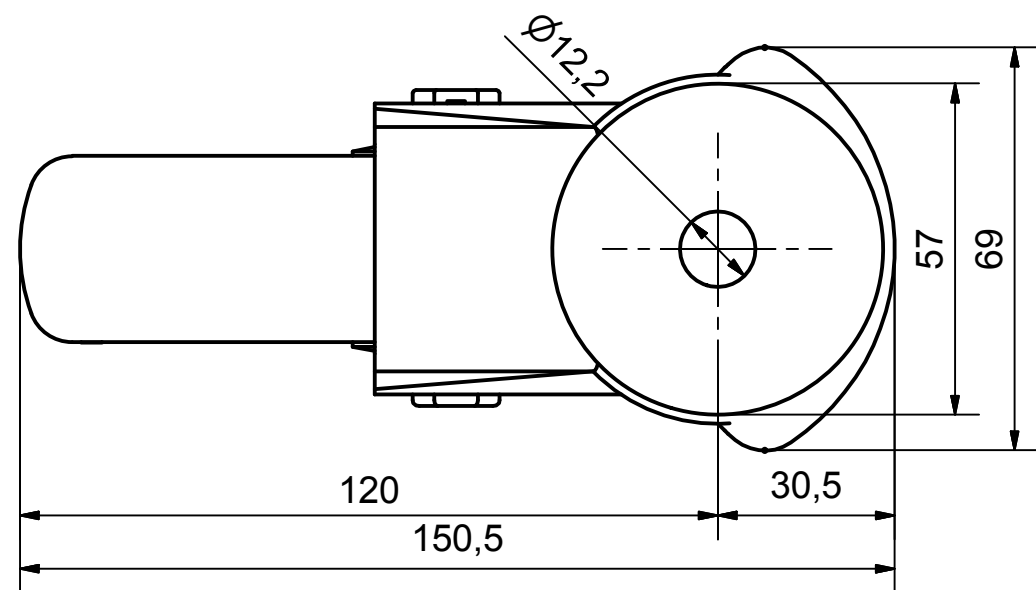



**Load Capacity: 100kg, for speed up to 4km/h
(According to EN 12530)**



| | | | | |
|--|------------------------------------|---|-------------|--|
|  PRODUCTION OF INSTITUTIONAL CASTORS AND WHEELS THESSALONIKI - GREECE | PERMIS. VARIATIONS: | | PART No: | |
| | SURFACE FINISH: | | UNF . DIM.: | |
| This drawing is the property of RODA S.A. It must neither be reproduced in any manner nor shall it be submitted to third parties or competitors without our written consent | DESIGNED 1/8/2013 E.POLIMEROPOULOU | PART NAME : SX.150.CPC.HS | | |
| | DRAWN 1/8/2013 E.POLIMEROPOULOU | PART DESCRIPTION : Swivel castor, stainless support, bolt hole fitting (12,2mm).Wheel 150x32mm,electric conductive non marking grey rubber (82shA) | | |
| | CHECKED 1/8/2013 H.SAATSOGLOU | DRAWING NUMBER : | | |
| C3 B2 A1 A/A | QUANTITY | SCALE | SHEET No. | |
| REPLACE : | | GEN. DWG. NUM. : | | |