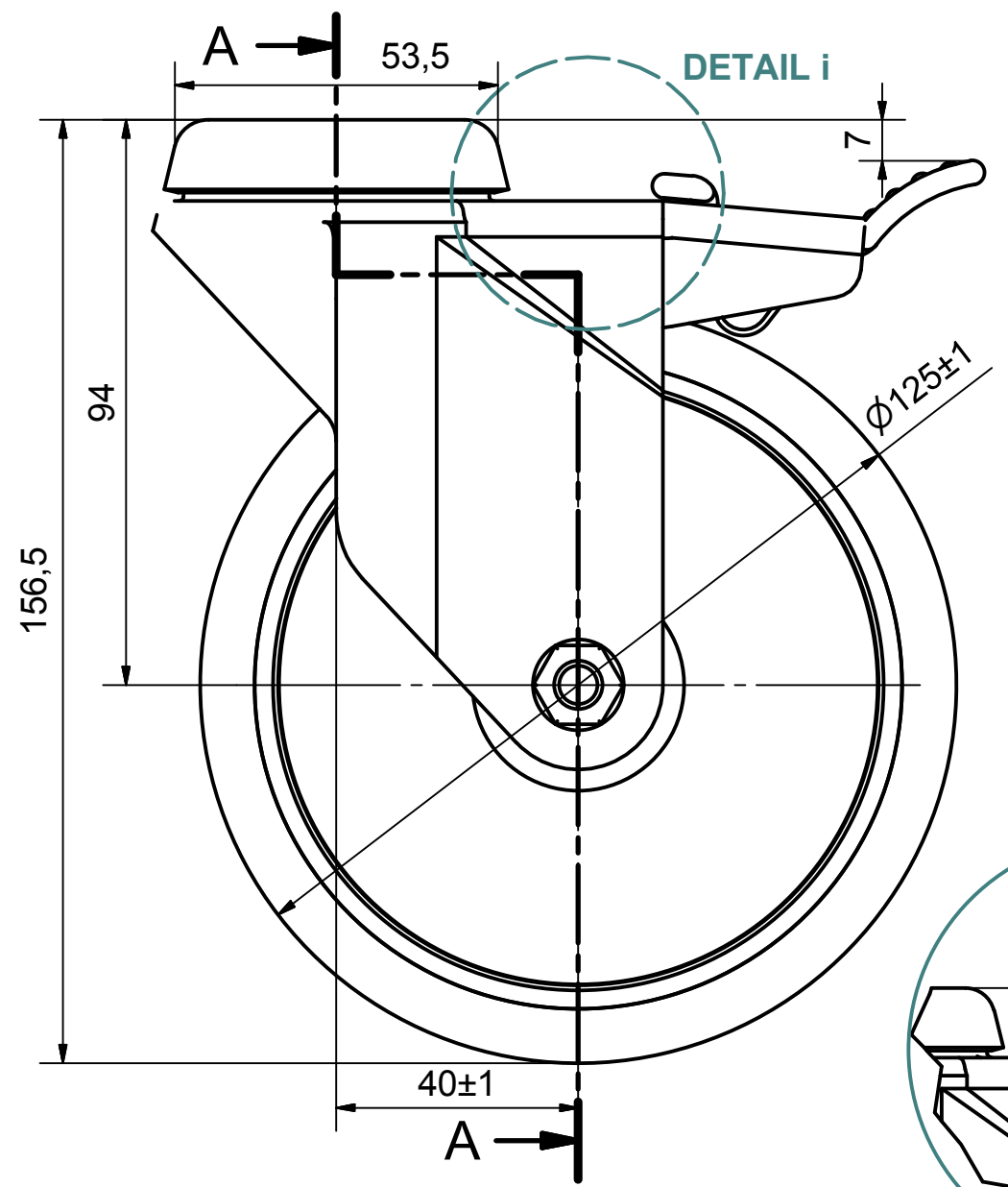


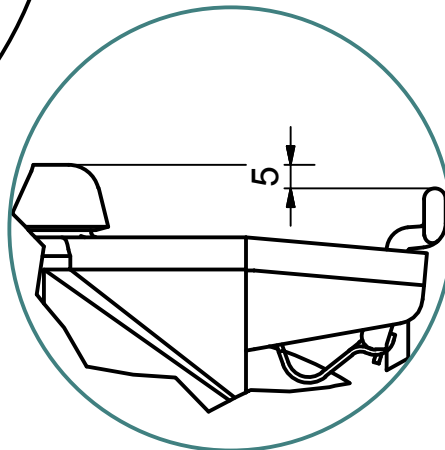
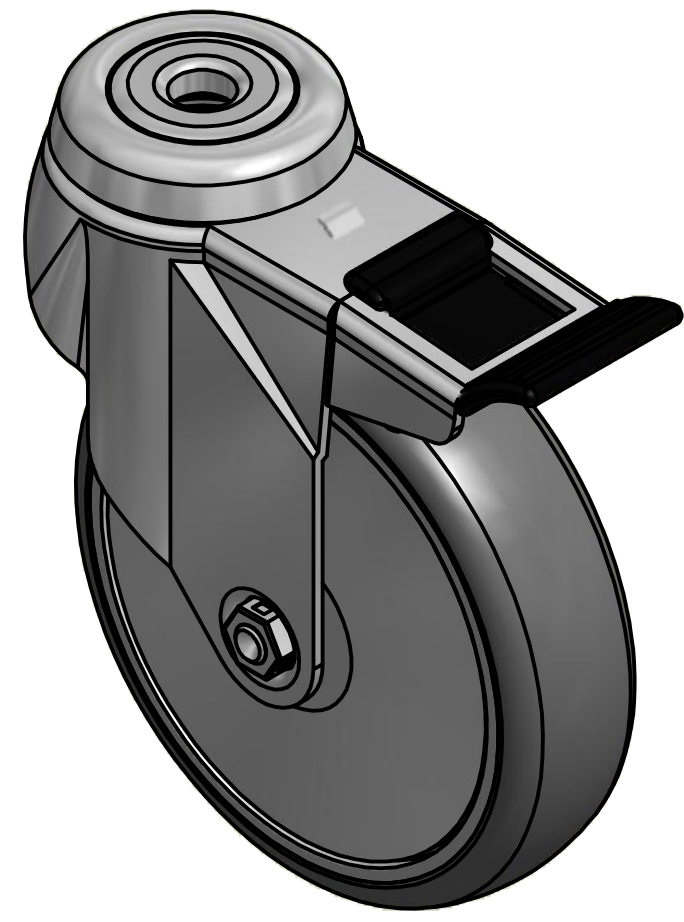
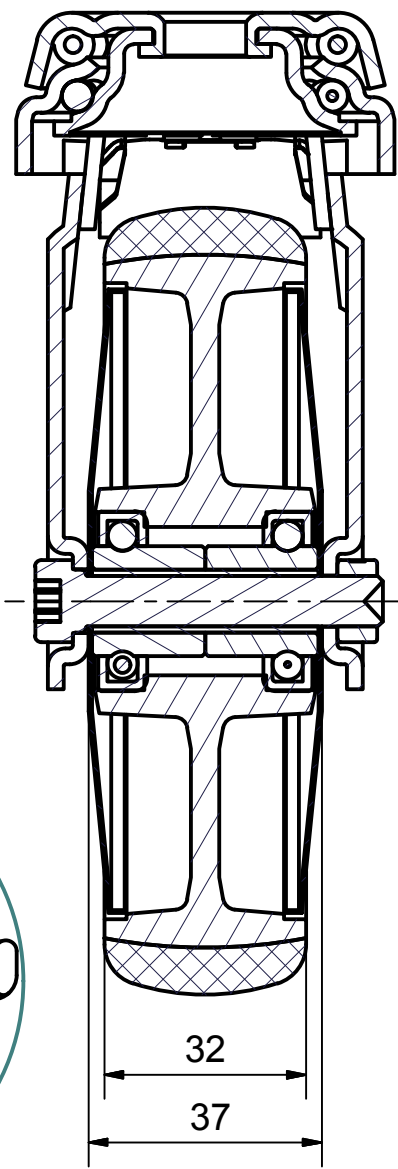
6 5 4 3 2 1

D  
C  
B  
A



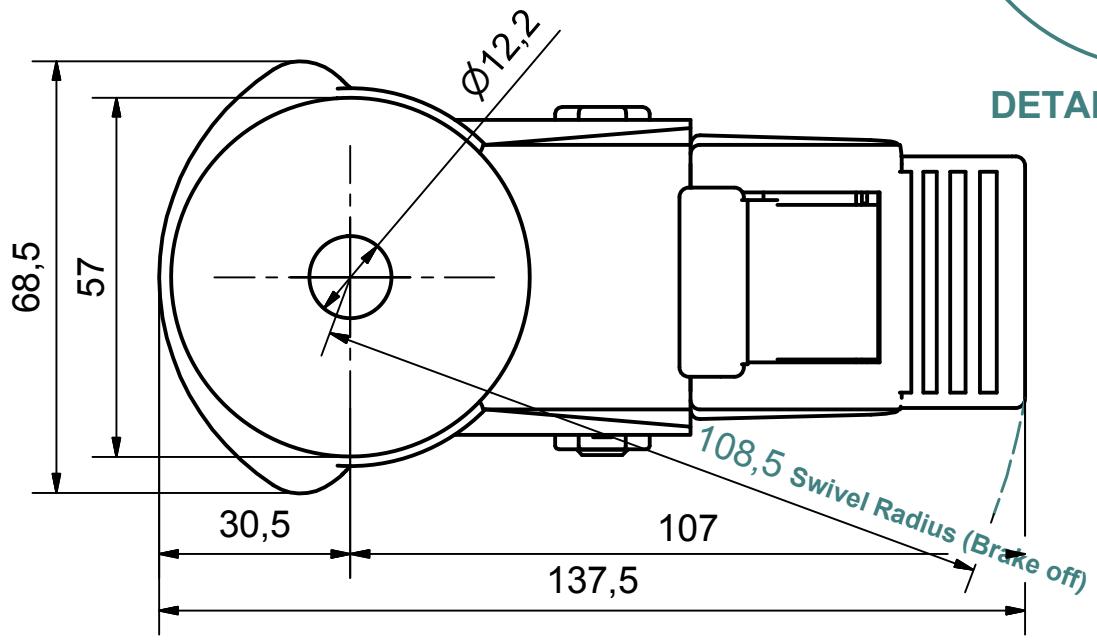
DETAIL i


SECTION A-A'



DETAIL i (Brake on)

Load Capacity: 100kg, for speed up to 4km/h  
(According to EN 12530)



 PRODUCTION OF INSTITUTIONAL CASTORS AND WHEELS THESSALONIKI - GREECE	PERMIS. VARIATIONS:		PART No:	
	SURFACE FINISH:		UNF . DIM.:	
This drawing is the property of RODA S.A. It must neither be reproduced in any manner nor shall it be submitted to third parties or competitors without our written consent	DESIGNED 29/7/2013 E.POLIMEROPOULOU	PART NAME : <b>SX.125.TPC.HSBKGX</b>		
	DRAWN 29/7/2013 E.POLIMEROPOULOU	PART DESCRIPTION : <b>Swivel+brake castor, stainless support, bolt hole fitting (12,2mm).Wheel 125x32mm,non marking grey rubber (82shA) double ball b</b>		
	CHECKED 29/7/2013 H.SAATSOGLOU	DRAWING NUMBER :		
C3 B2 A1 A/A	QUANTITY REPLACE :	SCALE	SHEET No.	
		GEN. DWG. NUM. :		

6 5 4 3 2 1