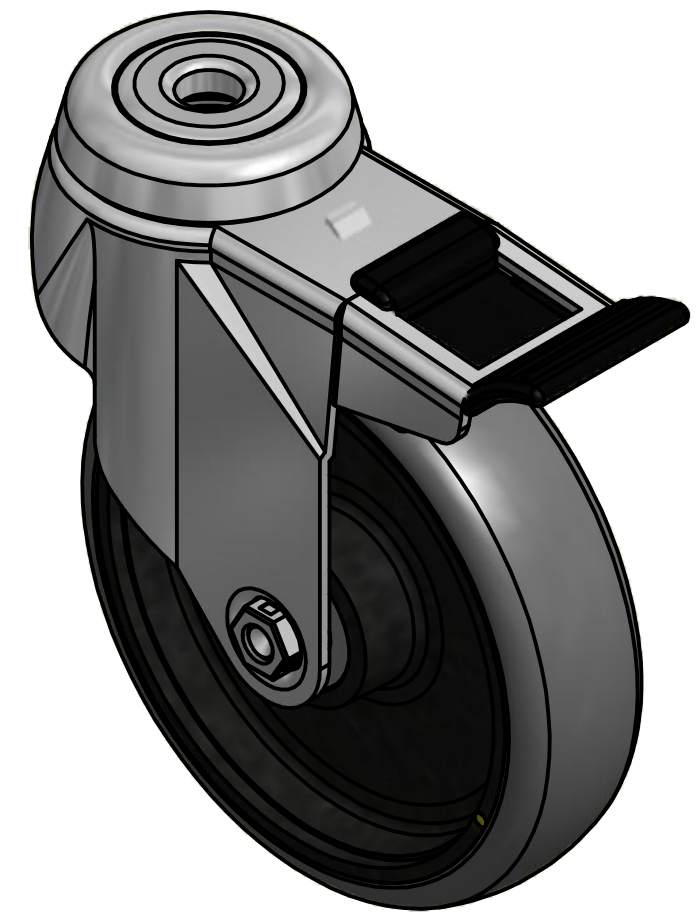
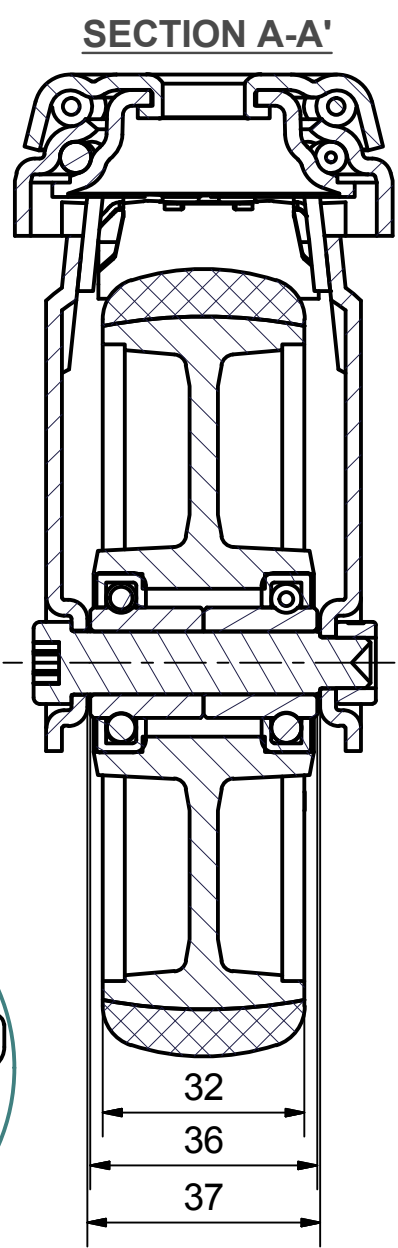
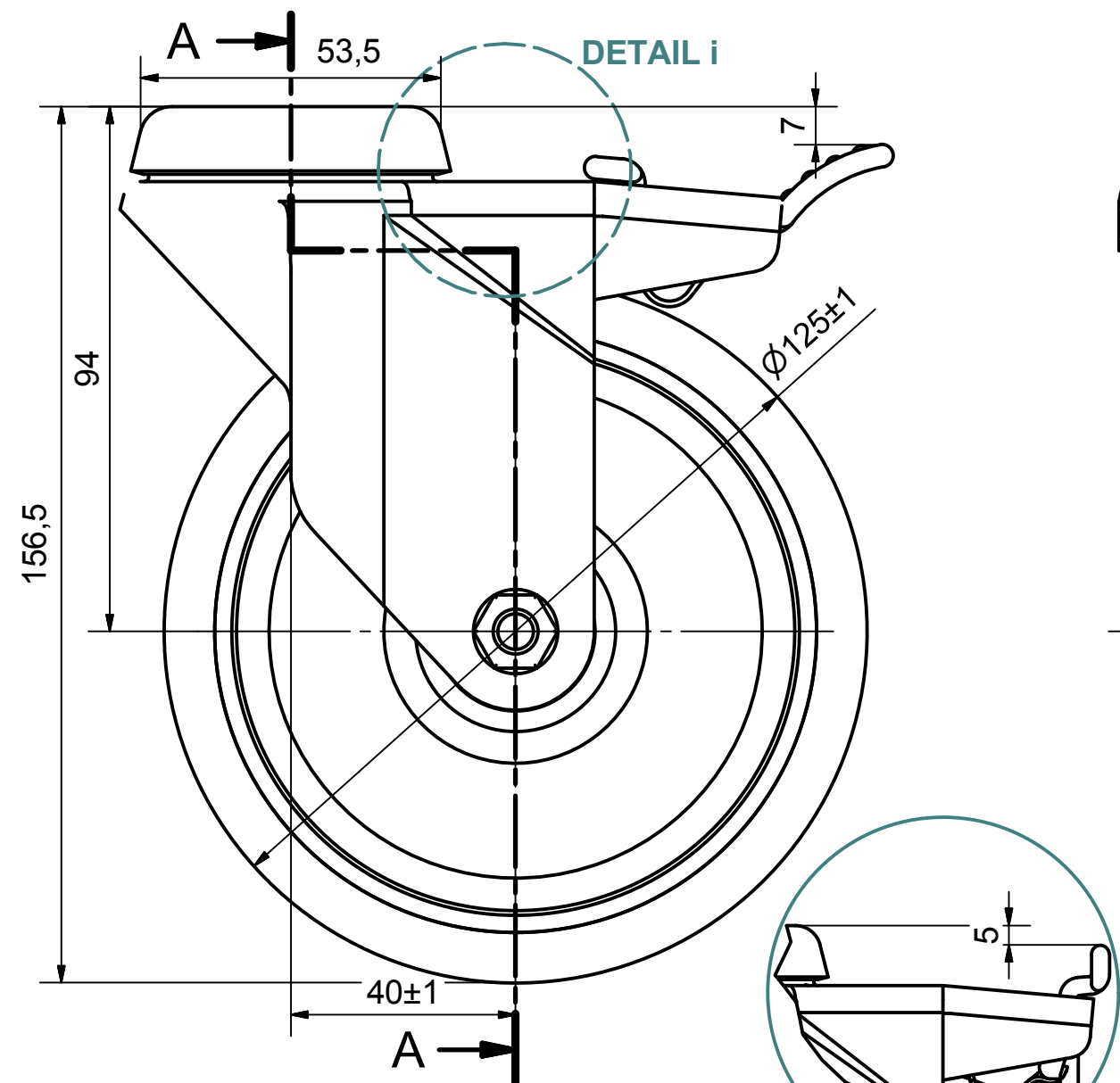
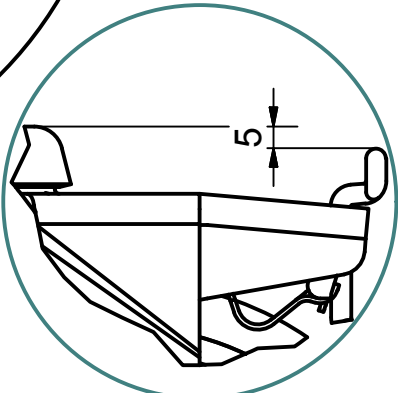
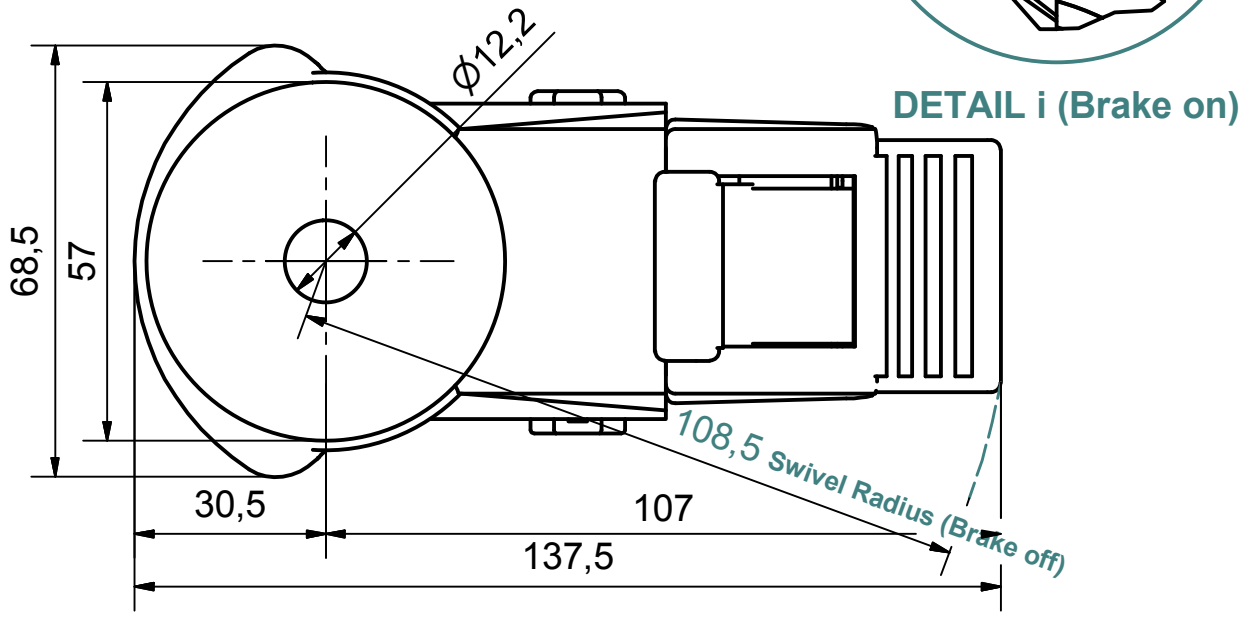



6 5 4 3 2 1

D
C
B
A



Load Capacity: 100kg, for speed up to 4km/h
(According to EN 12530)



| | | | |
|---|---------------------|------------------|---|
|  PRODUCTION OF INSTITUTIONAL CASTORS AND WHEELS THESSALONIKI - GREECE | PERMIS. VARIATIONS: | | PART No: |
| | SURFACE FINISH : | | UNF . DIM.: |
| This drawing is the property of RODA S.A. It must neither be reproduced in any manner nor shall it be submitted to third parties or competitors without our written consent | DESIGNED | 29/7/2013 | E.POLIMEROPOULOU |
| | DRAWN | 29/7/2013 | E.POLIMEROPOULOU |
| | CHECKED | 29/7/2013 | H.SAATSOGLOU |
| PART NAME : SX.125.CPC.HSBK | | | PART DESCRIPTION : Swivel+brake castor, stainless support, bolt hole fitting (12,2mm).Wheel 125x32mm,electric conductive non marking grey rubber (|
| DRAWING NUMBER : | | | SHEET No. |
| QUANTITY SCALE | | GEN. DWG. NUM. : | |
| REPLACE : | | | |

6 5 4 3 2 1