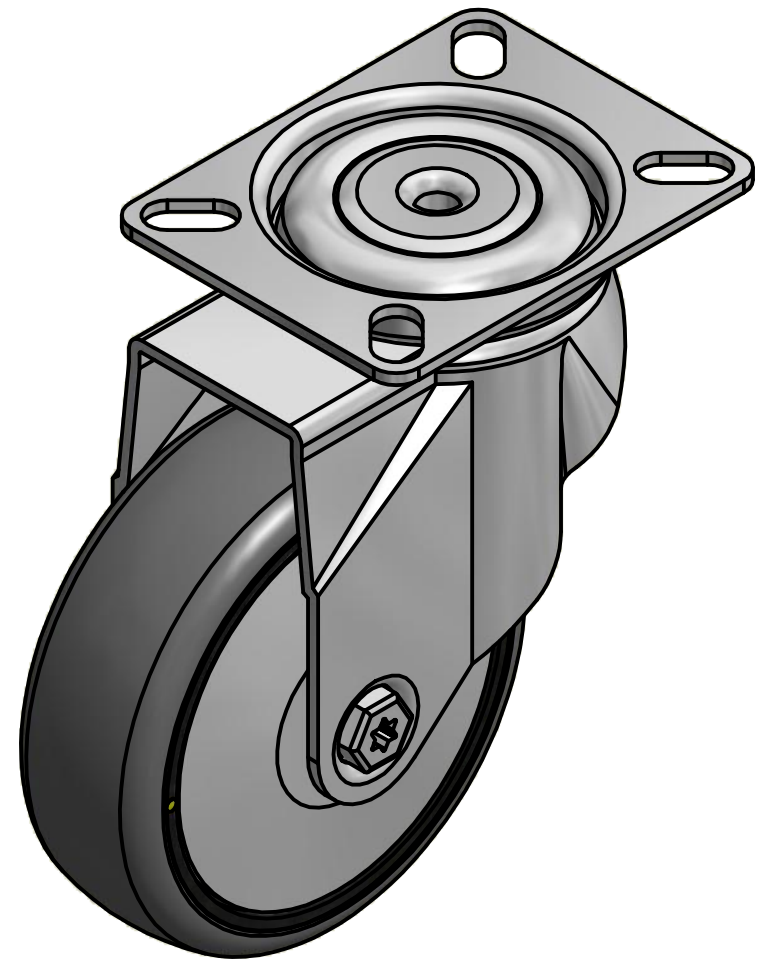
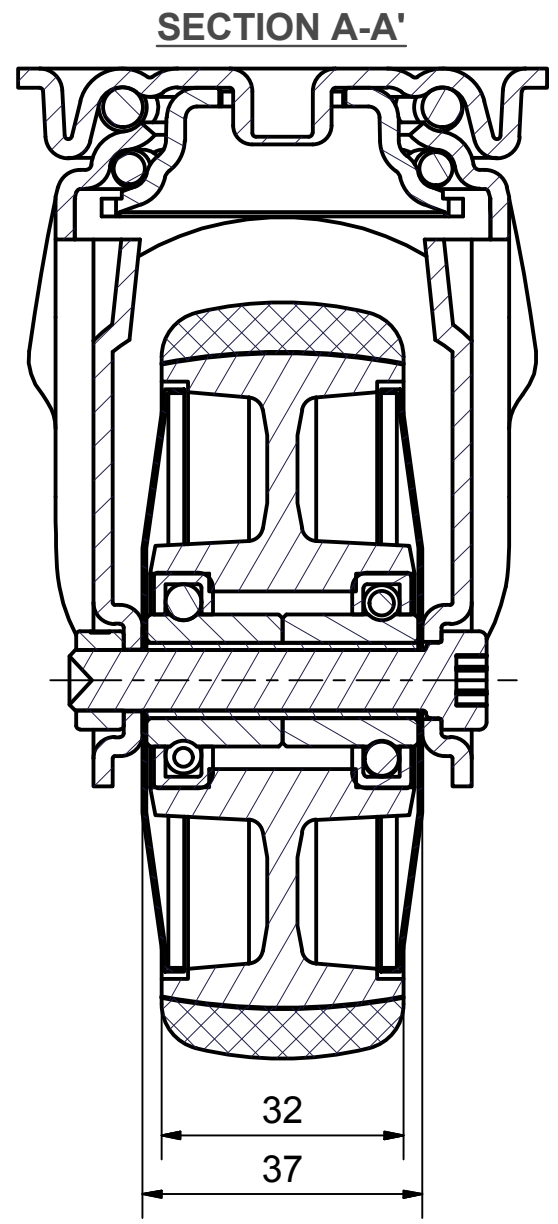
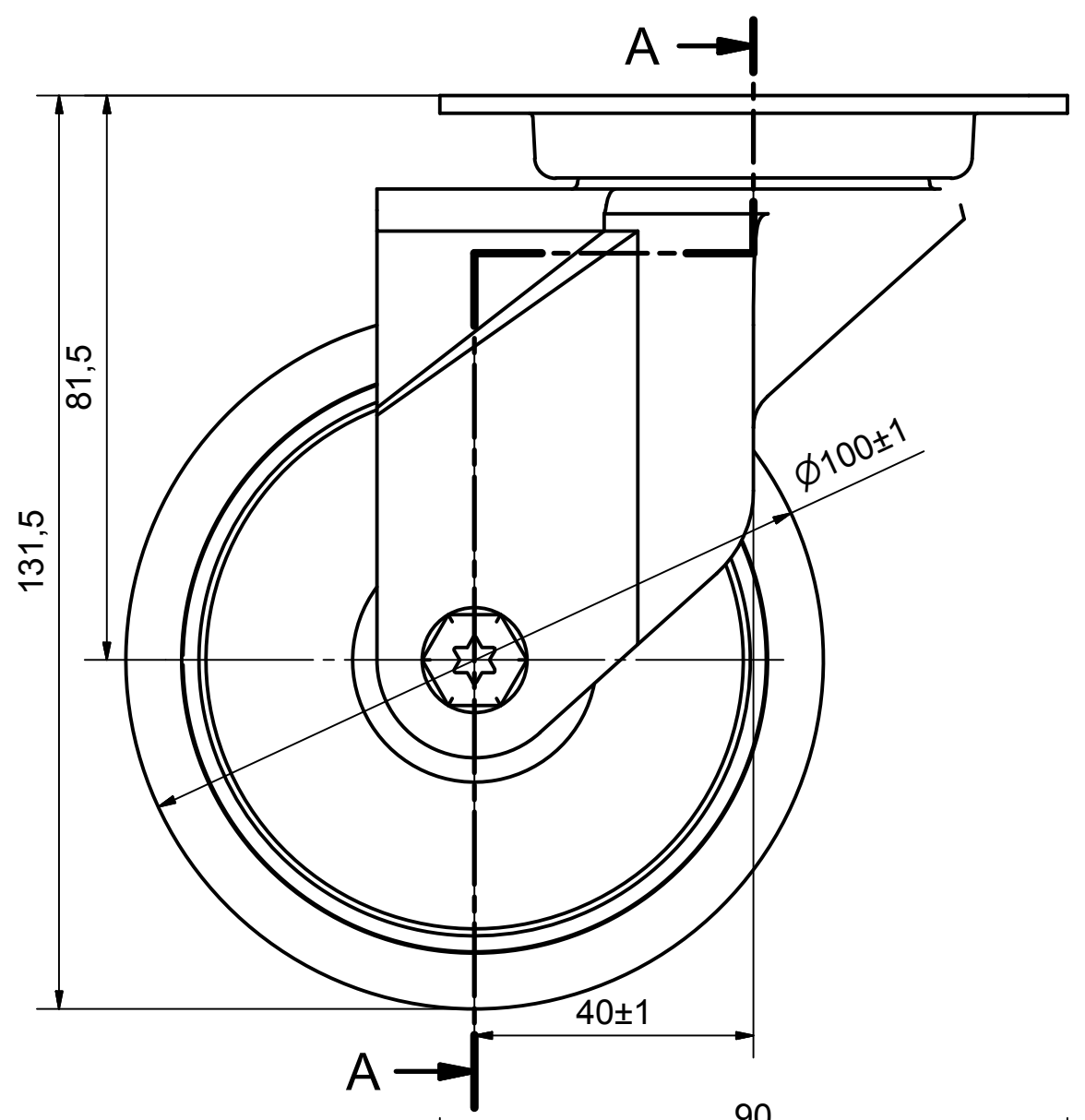
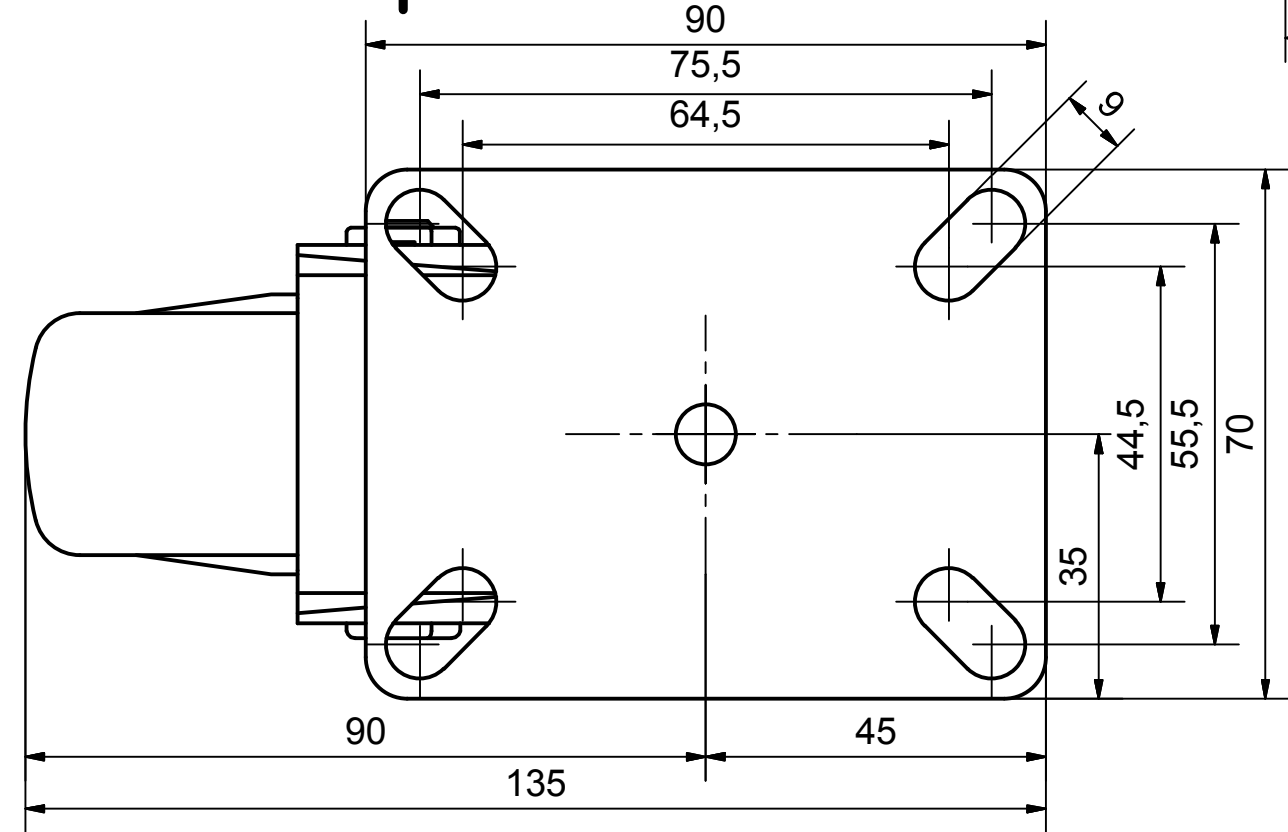



6 5 4 3 2 1

D  
C  
B  
A



**Load Capacity: 90kg, for speed up to 4km/h  
(According to EN 12530)**



 <b>PRODUCTION OF INSTITUTIONAL CASTORS AND WHEELS</b> <b>THESSALONIKI - GREECE</b>	PERMIS. VARIATIONS:		PART No:	
	SURFACE FINISH:		UNF. DIM.:	
This drawing is the property of RODA S.A. It must neither be reproduced in any manner nor shall it be submitted to third parties or competitors without our written consent			PART NAME : <b>SX.100.CPC.TSGX</b>	
DESIGNED	22/7/2013	E.POLIMEROPOULOU	PART DESCRIPTION : <b>Swivel castor, stainless support, top plate fitting.Wheel 100x32mm,electric conductive non marking grey rubber (82shA) double b</b>	
DRAWN	22/7/2013	E.POLIMEROPOULOU	DRAWING NUMBER :	
CHECKED	22/7/2013	H.SAATSOGLOU	SHEET No.	
C3			QUANTITY	SCALE
B2			REPLACE :	GEN. DWG. NUM. :
A1				
A/A				

6 5 4 3 2 1