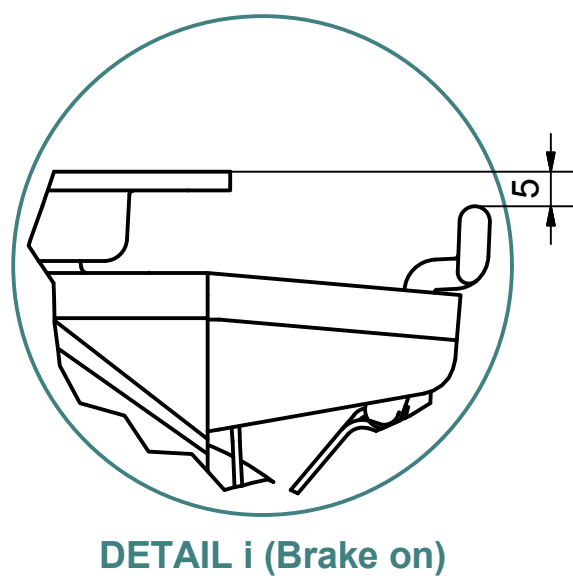
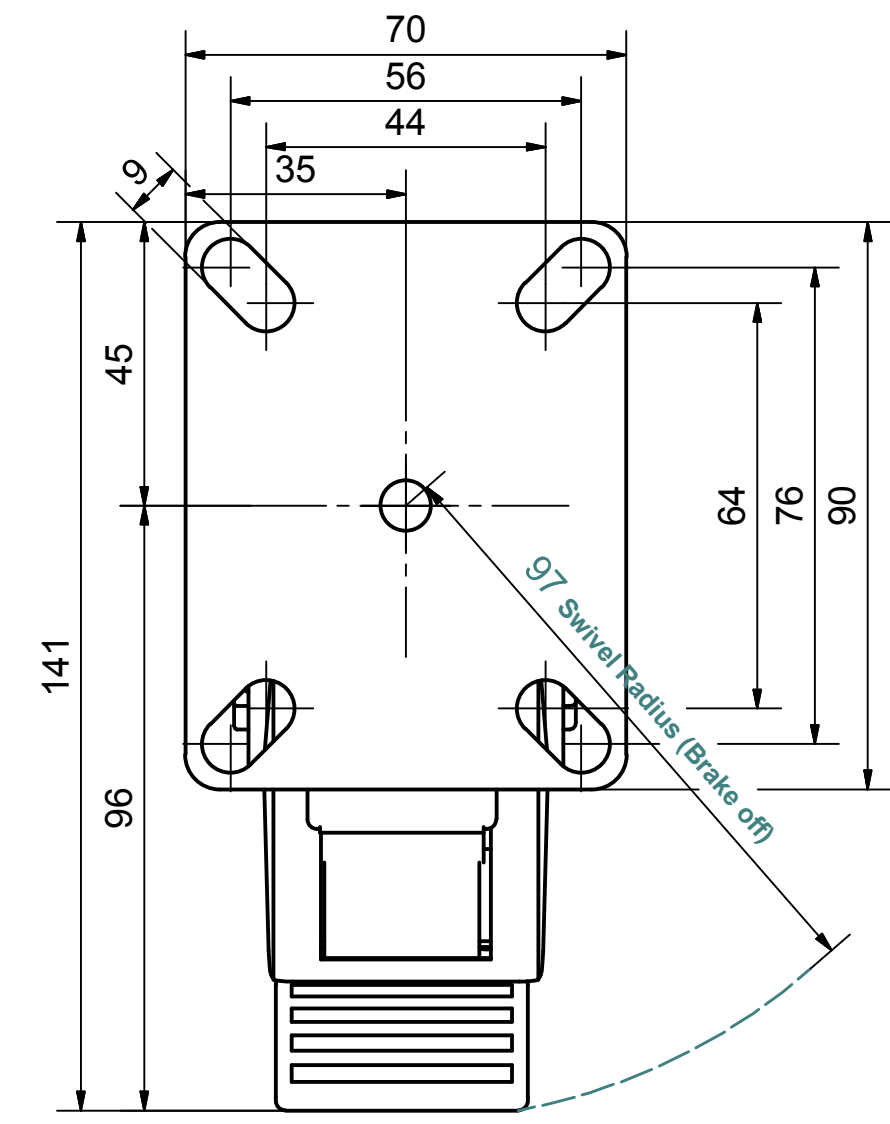



**Load Capacity: 70kg, for speed up to 4km/h  
(According to EN 12530)**



 PRODUCTION OF INSTITUTIONAL CASTORS AND WHEELS THESSALONIKI - GREECE This drawing is the property of RODA S.A. It must neither be reproduced in any manner nor shall it be submitted to third parties or competitors without our written consent	PERMIS. VARIATIONS:		PART No:	
	SURFACE FINISH:		UNF . DIM.:	
DESIGNED 17/7/2013 E.POLIMEROPOULOU DRAWN 17/7/2013 E.POLIMEROPOULOU CHECKED 17/7/2013 H.SAATSOGLOU			PART NAME : <b>SX.075.TPA.TSBK</b>	
C3 B2 A1 A/A			PART DESCRIPTION : <b>Swivel+brake castor, stainless support, top plate fitting.Wheel 75x32mm,non marking grey rubber (82shA) plain bearing</b>	
QUANTITY REPLACE :		SCALE		DRAWING NUMBER :
				SHEET No.
				GEN. DWG. NUM. :