

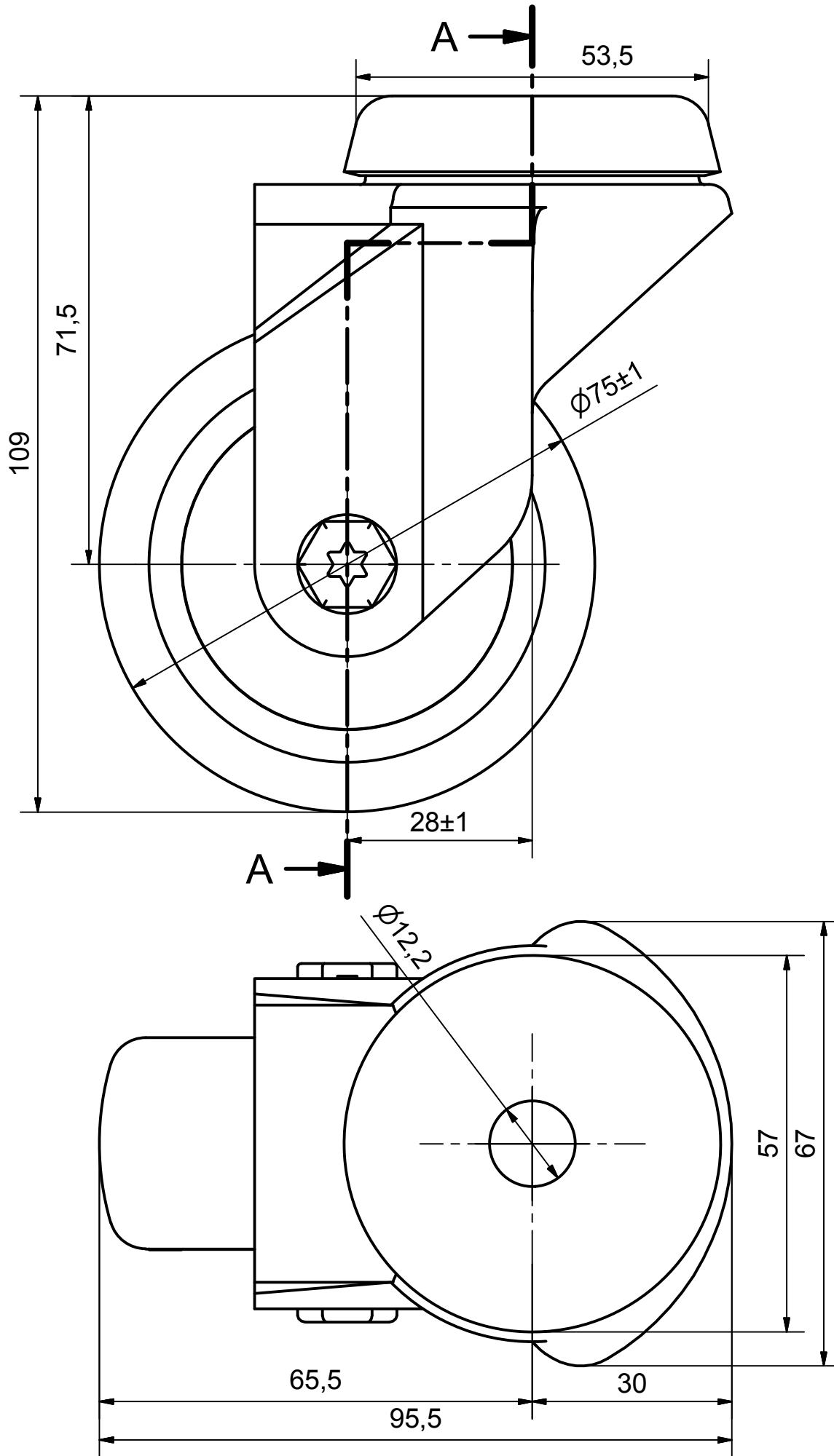
6 5 4 3 2 1

D

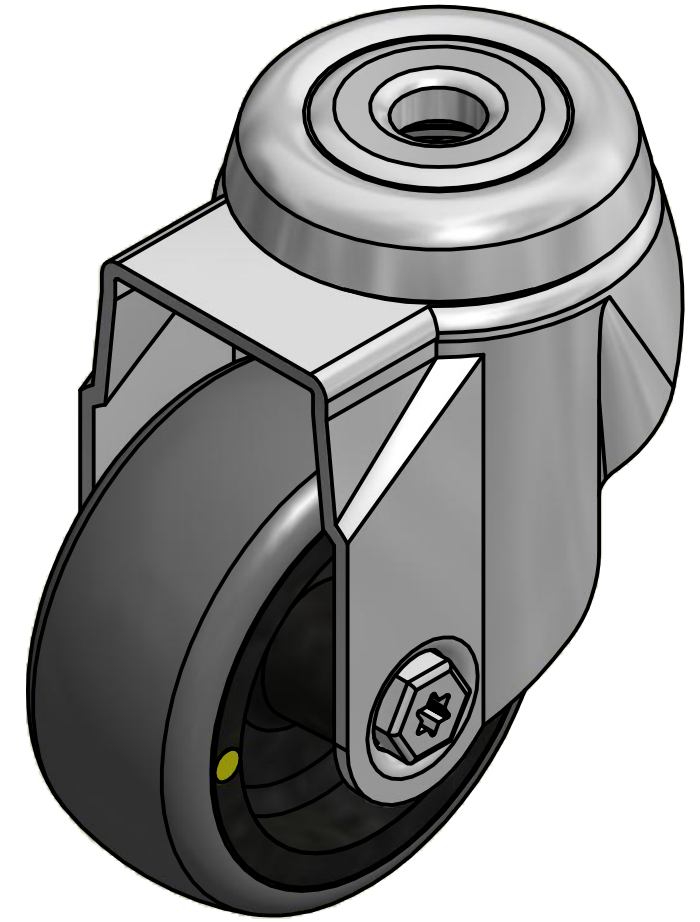
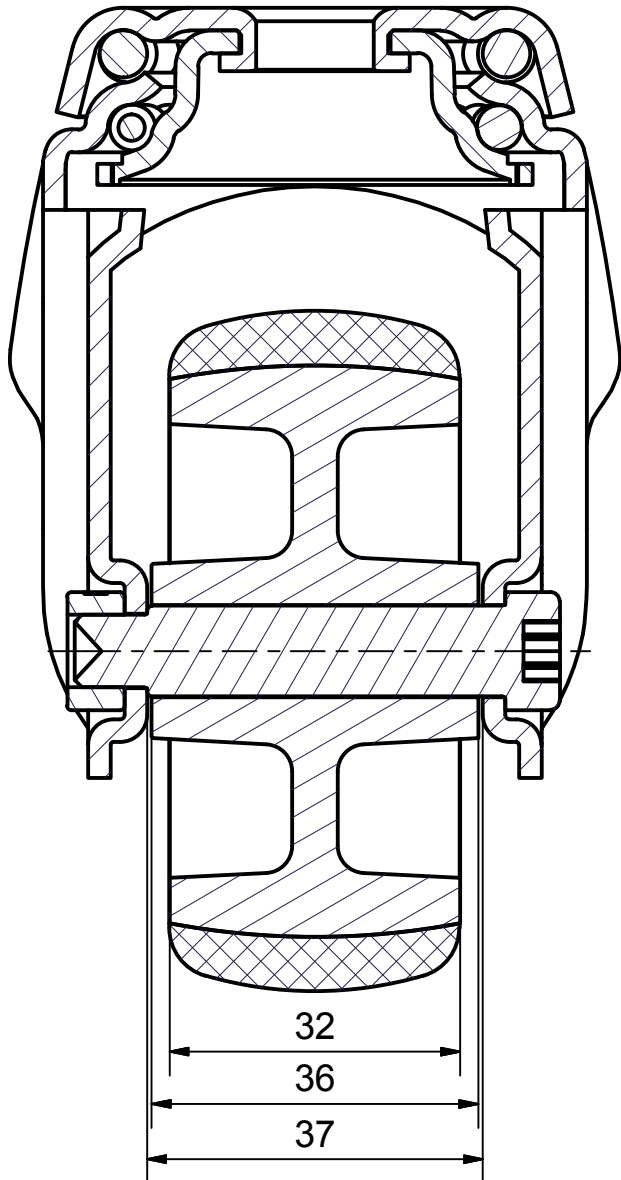
C

B

A



SECTION A-A'



Load Capacity: 70kg, for speed up to 4km/h
(According to EN 12530)


D

C

B

A

6 5 4 3 2 1

 PRODUCTION OF INSTITUTIONAL CASTORS AND WHEELS THESSALONIKI - GREECE This drawing is the property of RODA S.A. It must neither be reproduced in any manner nor shall it be submitted to third parties or competitors without our written consent	PERMIS. VARIATIONS:		PART No:
	SURFACE FINISH:		UNF . DIM.:
DESIGNED 18/7/2013 E.POLIMEROPOULOU	DRAWN 18/7/2013 E.POLIMEROPOULOU		PART NAME : SX.075.CPA.HS
CHECKED 18/7/2013 H.SAATSOGLOU	PART DESCRIPTION :		
C3	QUANTITY	SCALE	DRAWING NUMBER :
B2	REPLACE :		SHEET No.
A1			GEN. DWG. NUM. :
A/A			