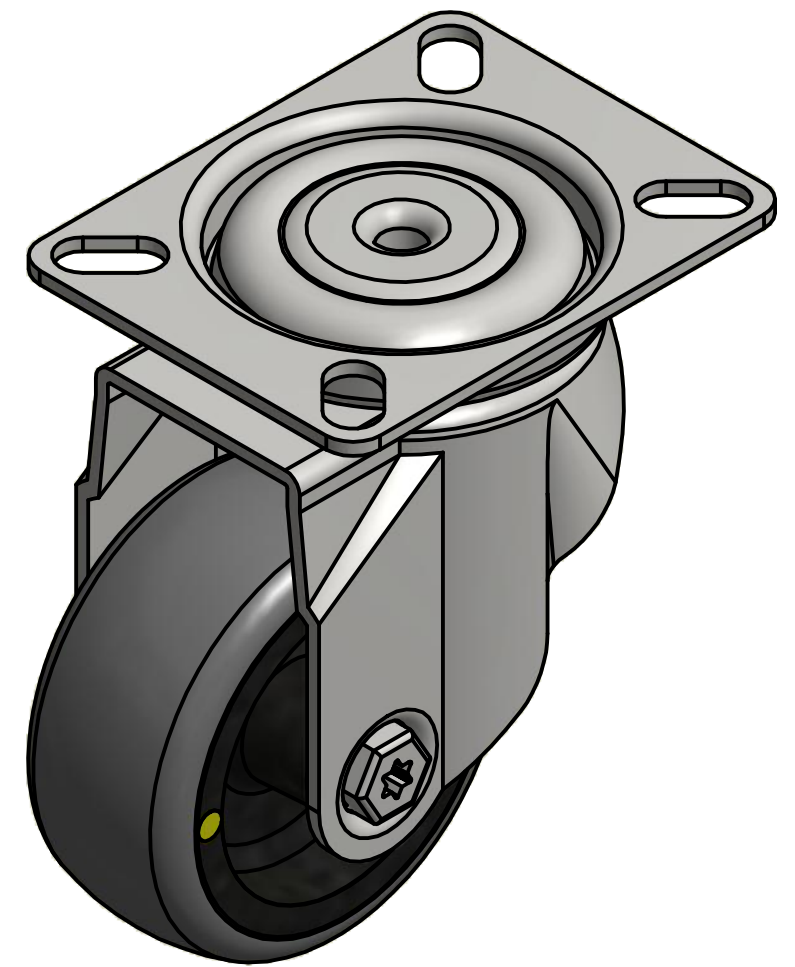
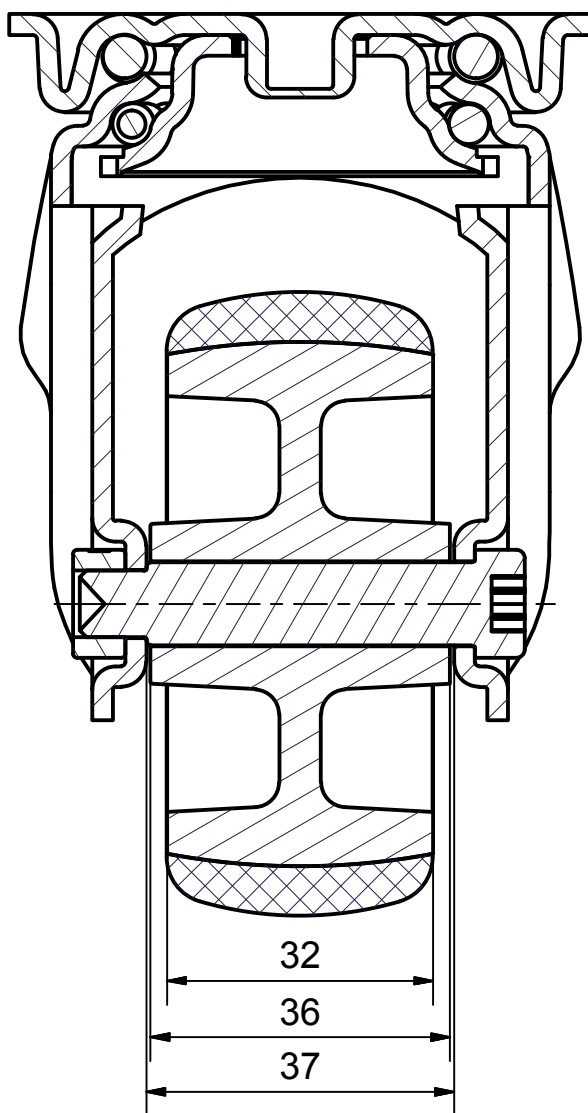



SECTION A-A'



Load Capacity: 70kg, for speed up to 4km/h  
(According to EN 12530)°

 PRODUCTION OF INSTITUTIONAL CASTORS AND WHEELS THESSALONIKI - GREECE	PERMIS. VARIATIONS:		PART No:		
	SURFACE FINISH :		UNF . DIM.:		
This drawing is the property of RODA S.A. It must neither be reproduced in any manner nor shall it be submitted to third parties or competitors without our written consent	DESIGNED	17/7/2013	E.POLIMEROPOULOU	PART DESCRIPTION : <b>Swivel castor, steel support, top plate fitting.Wheel 75x32mm,electric conductive non marking grey rubber (82shA) plain bearing</b>	
	DRAWN	17/7/2013	E.POLIMEROPOULOU		
	CHECKED	17/7/2013	H.SAATSOGLU		
C3				DRAWING NUMBER :	
B2					SHEET No.
A1				QUANTITY	SCALE
A/A				REPLACE :	GEN. DWG. NUM. :