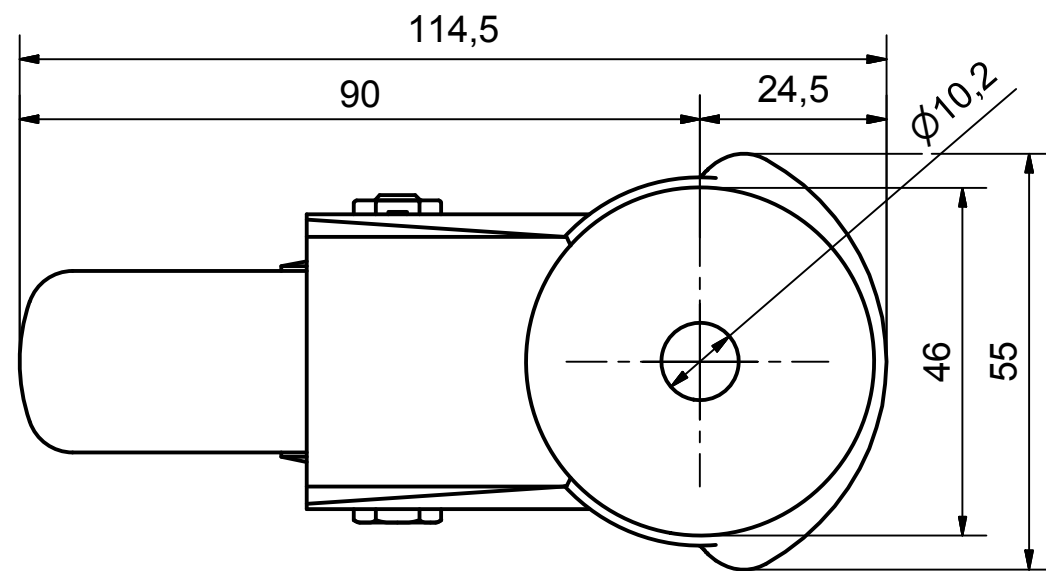



**Load Capacity: 70kg, for speed up to 4km/h
(According to EN 12530)**



	PRODUCTION OF INSTITUTIONAL CASTORS AND WHEELS THESSALONIKI - GREECE	PERMIS. VARIATIONS:		PART No:	
		SURFACE FINISH :		UNF . DIM.:	
This drawing is the property of RODA S.A. It must neither be reproduced in any manner nor shall it be submitted to third parties or competitors without our written consent				PART NAME : MX.100.TPC.HS	
DESIGNED 9/7/2013 E.POLIMEROPOULOU DRAWN 9/7/2013 E.POLIMEROPOULOU CHECKED 9/7/2013 H.SAATZOGLOU		PART DESCRIPTION :			
C3 B2 A1 A/A		QUANTITY REPLACE :		DRAWING NUMBER :	
		SCALE		SHEET No.	
				GEN. DWG. NUM. :	