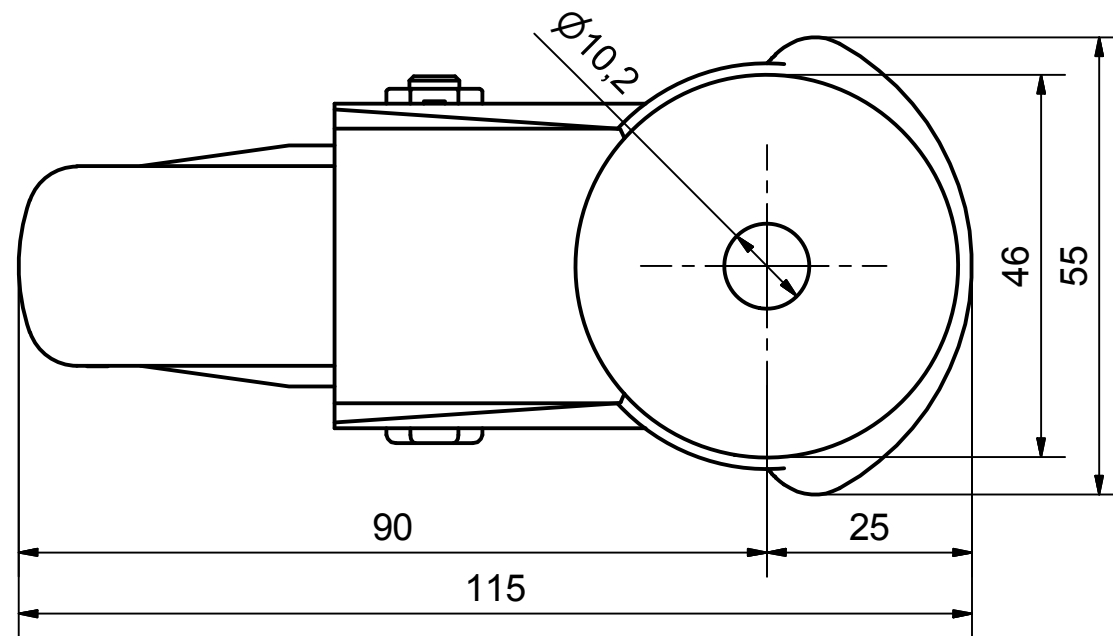



Load Capacity: 70kg, for speed up to 4km/h
(According to EN 12530)



 PRODUCTION OF INSTITUTIONAL CASTORS AND WHEELS THESSALONIKI - GREECE	PERMIS. VARIATIONS:		PART No:
	SURFACE FINISH :		UNF . DIM.:
This drawing is the property of RODA S.A. It must neither be reproduced in any manner nor shall it be submitted to third parties or competitors without our written consent	DESIGNED	9/7/2013	E.POLIMEROPOULOU
	DRAWN	9/7/2013	E.POLIMEROPOULOU
	CHECKED	9/7/2013	H.SAATZOGLOU
PART NAME : MX.100.CPC.HSGX			PART DESCRIPTION : Swivel castor, stainless support, bolt hole fitting (10,2mm).Wheel 100x24mm,electric conductive non marking grey rubber (82shA)
DRAWING NUMBER :			SHEET No.
QUANTITY SCALE		GEN. DWG. NUM. :	
REPLACE :			