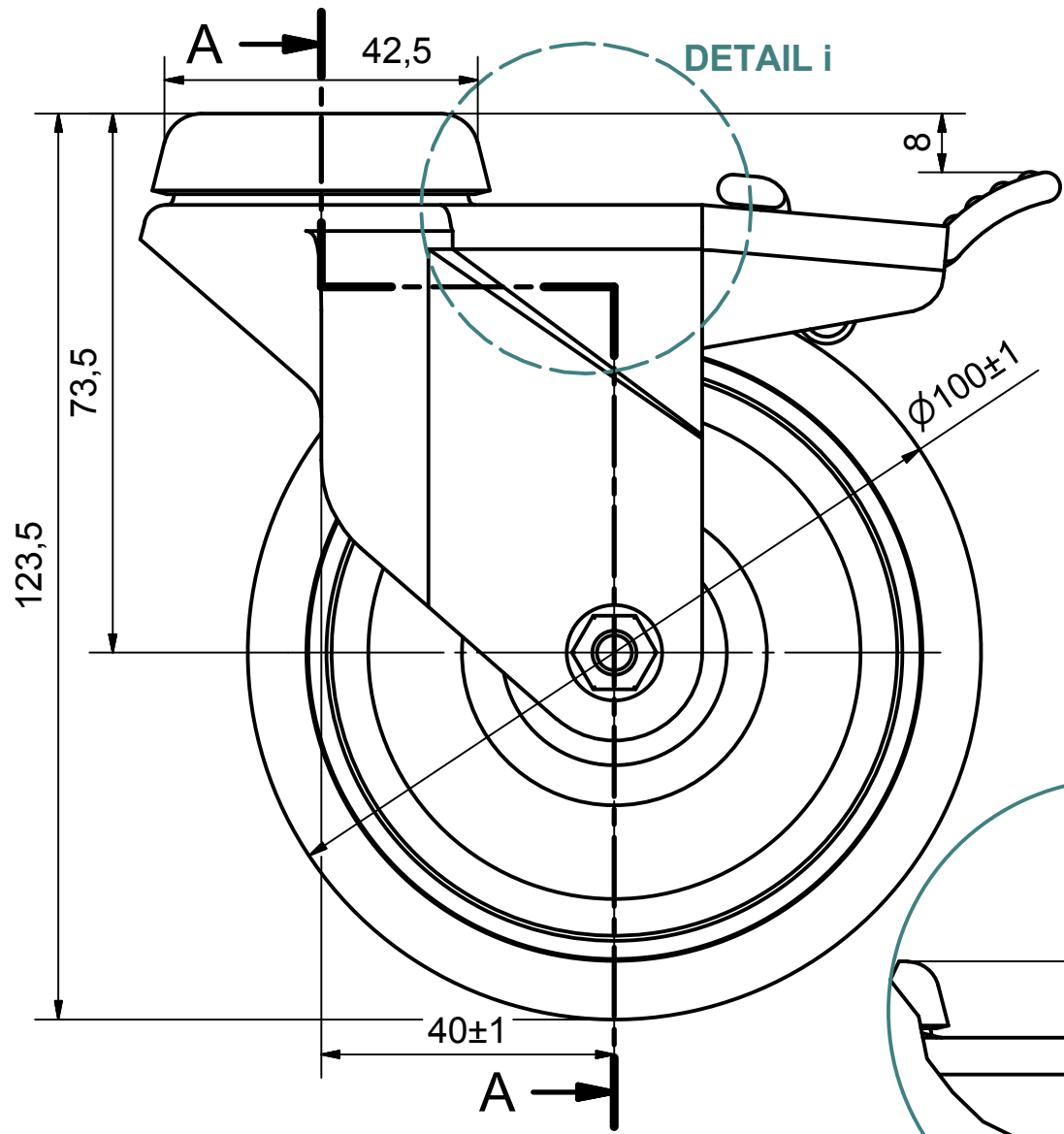
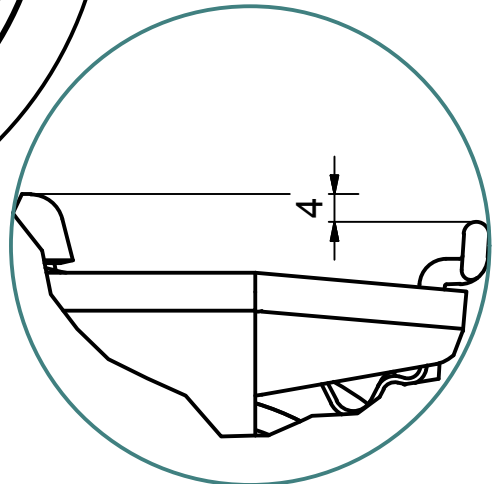


6 5 4 3 2 1

D
C
B
A

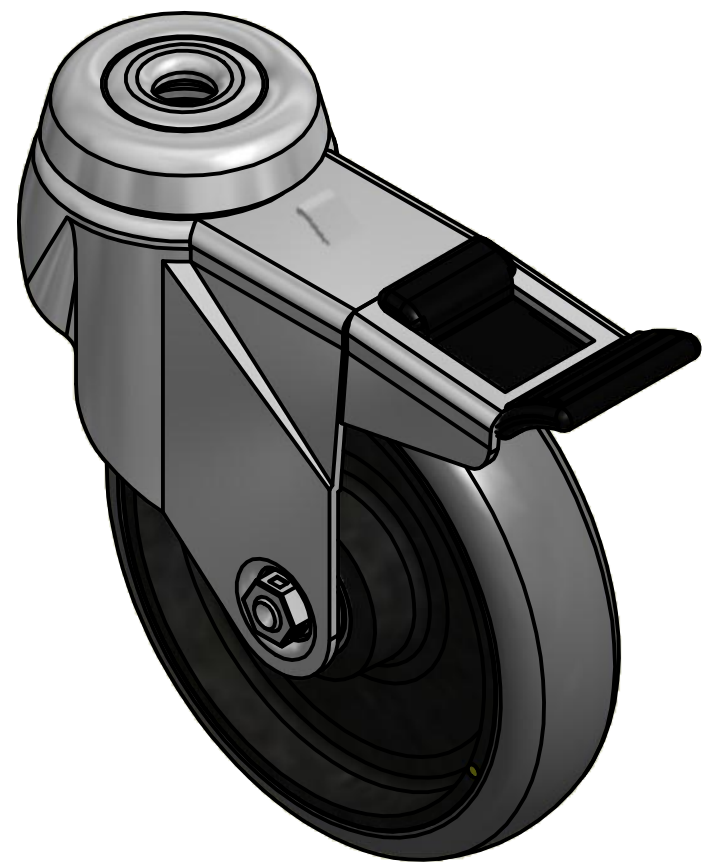
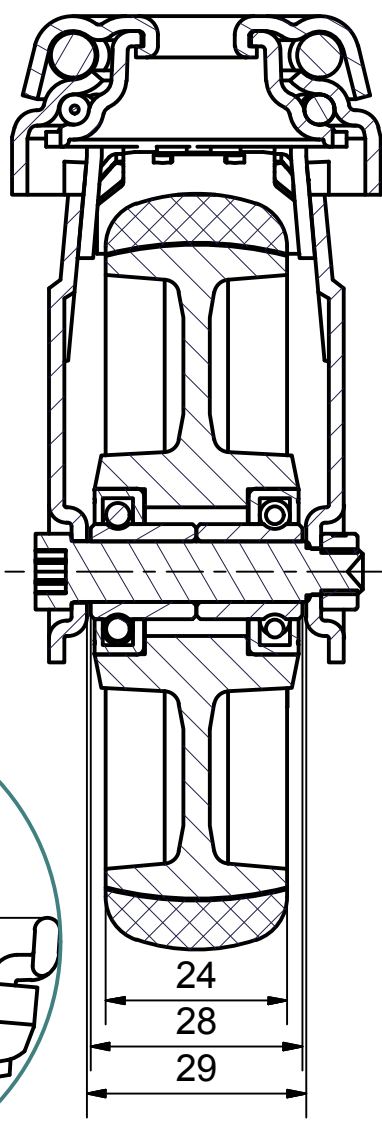


DETAIL i

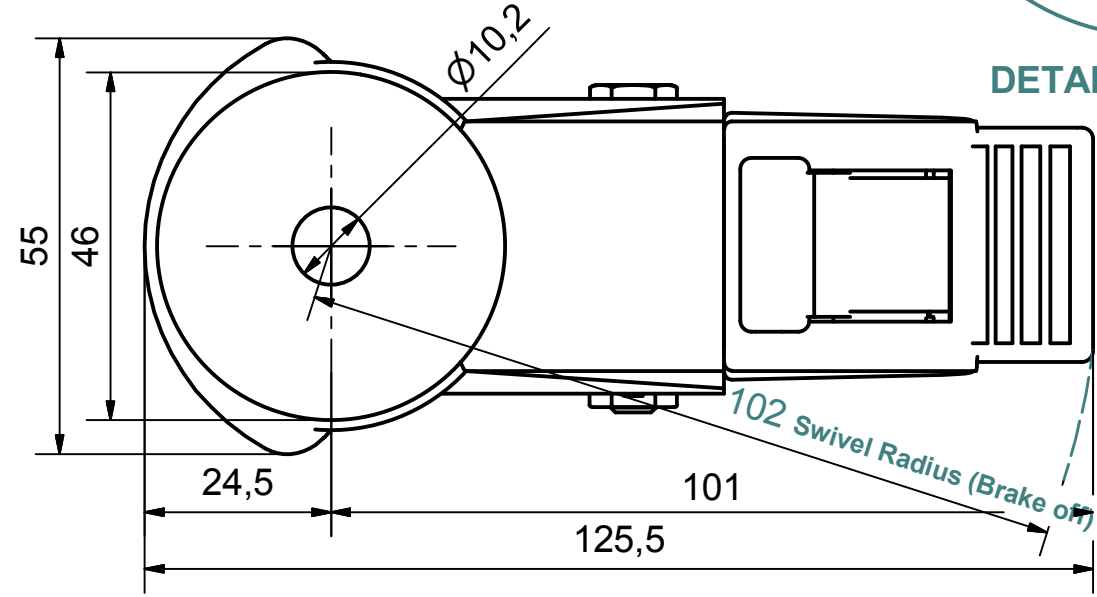


DETAIL i (Brake on)

SECTION A-A'




Load Capacity: 70kg, for speed up to 4km/h
(According to EN 12530)



6 5 4 3 2 1

D
C
B
A

 PRODUCTION OF INSTITUTIONAL CASTORS AND WHEELS THESSALONIKI - GREECE	PERMIS. VARIATIONS:		PART No:	
	SURFACE FINISH:		UNF. DIM.:	
This drawing is the property of RODA S.A. It must neither be reproduced in any manner nor shall it be submitted to third parties or competitors without our written consent.	DESIGNED	10/7/2013	E.POLIMEROPOULOU	PART NAME : MX.100.CPC.HSBK PART DESCRIPTION : Swivel+brake castor, steel support, bolt hole fitting (10,2mm).Wheel 100x24mm,electric conductive non marking grey rubber (82sh)
	DRAWN	10/7/2013	E.POLIMEROPOULOU	
	CHECKED	10/7/2013	H.SAATSOGLOU	
C3				DRAWING NUMBER :
B2				
A1				QUANTITY SCALE REPLACE :
A/A				