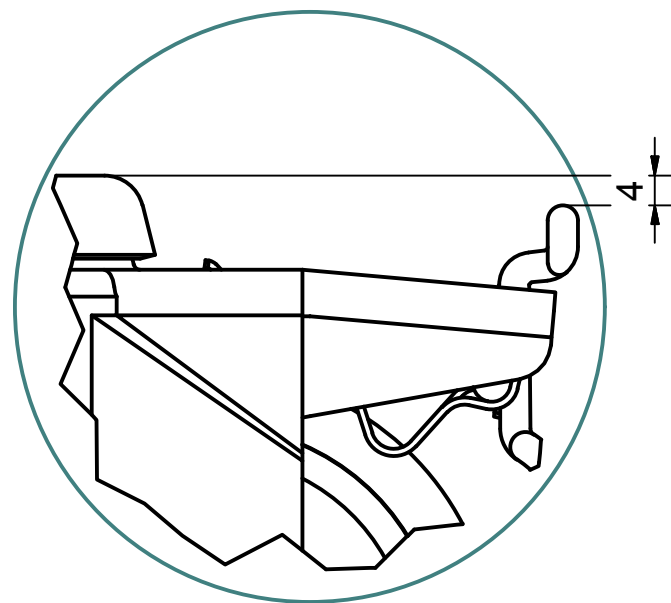
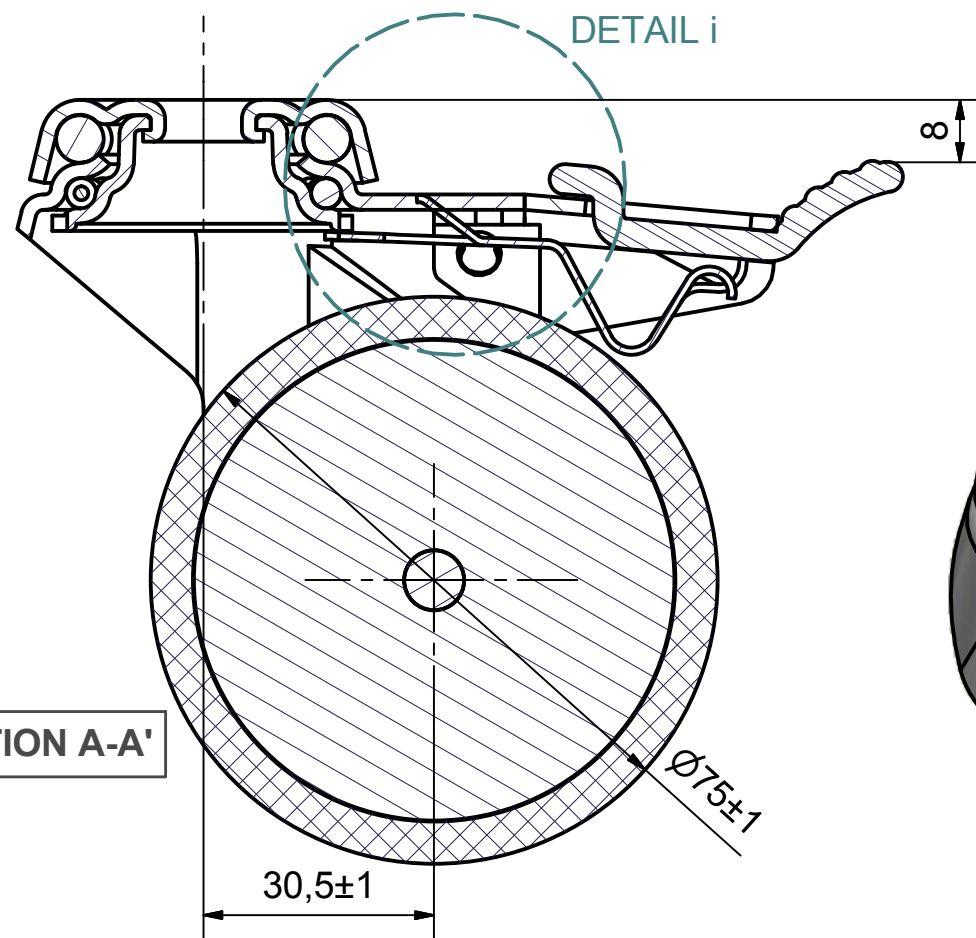
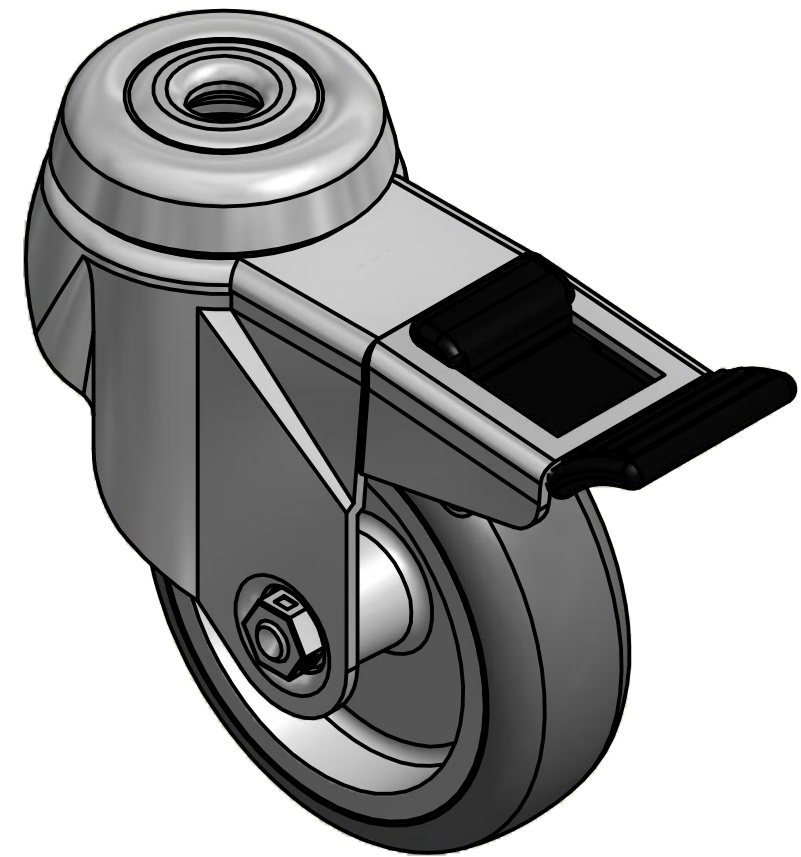



SECTION A-A'



DETAIL i (Brake on)



Load Capacity: 60kg, for speed up to 4km/h
(According to EN 12530)

 PRODUCTION OF INSTITUTIONAL CASTORS AND WHEELS THESSALONIKI - GREECE	PERMIS. VARIATIONS:		PART No:	
	SURFACE FINISH:		UNF . DIM.:	
This drawing is the property of RODA S.A. It must neither be reproduced in any manner nor shall it be submitted to third parties or competitors without our written consent	DESIGNED	4/7/2013	E.POLIMEROPOULOU	
	DRAWN	4/7/2013	E.POLIMEROPOULOU	
	CHECKED	4/7/2013	H.SAATZOGLOU	
PART DESCRIPTION : Swivel+brake castor, stainless support, bolt hole fitting (10,2mm).Wheel 75x24mm,non marking grey rubber (82shA) plain bearing			PART NAME : MX.075.TPA.HSBK	
C3 B2 A1 A/A		QUANTITY REPLACE :	SCALE DRAWING NUMBER : GEN. DWG. NUM. :	SHEET No.