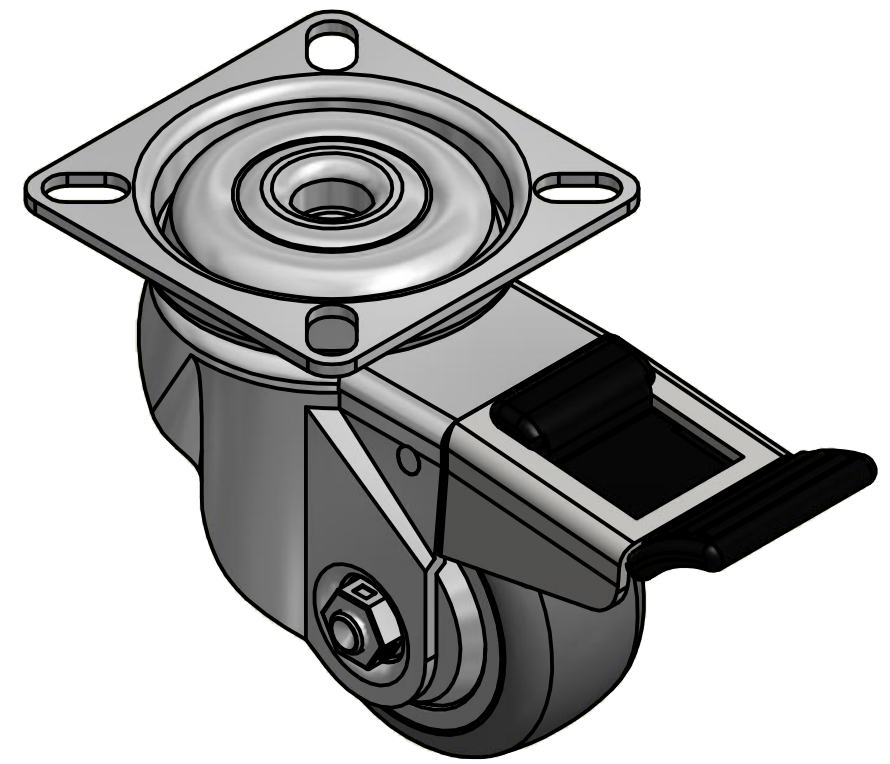
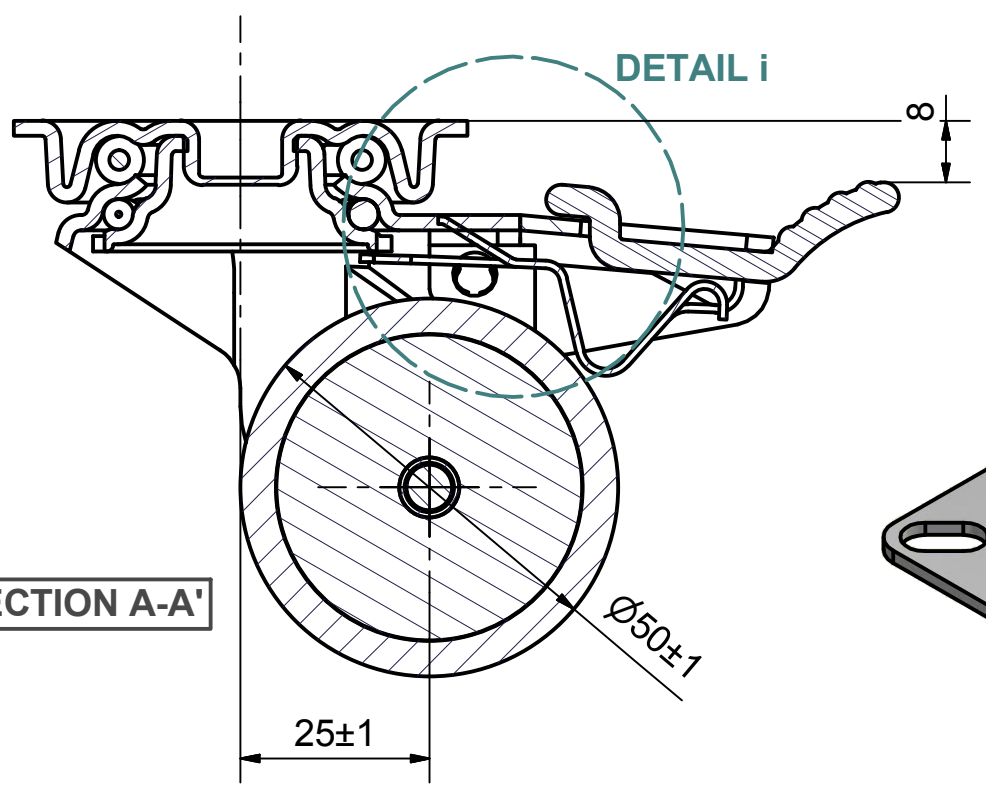
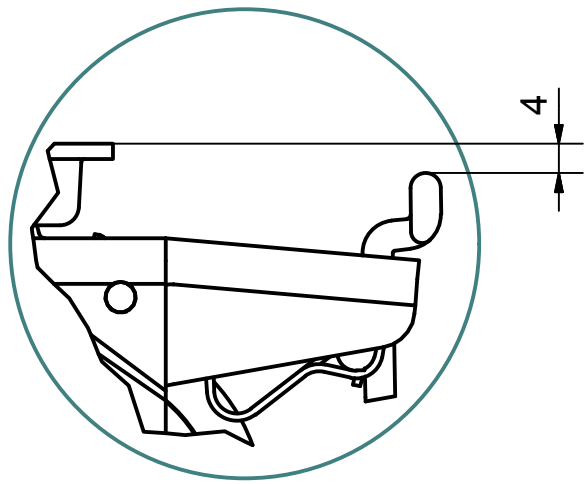
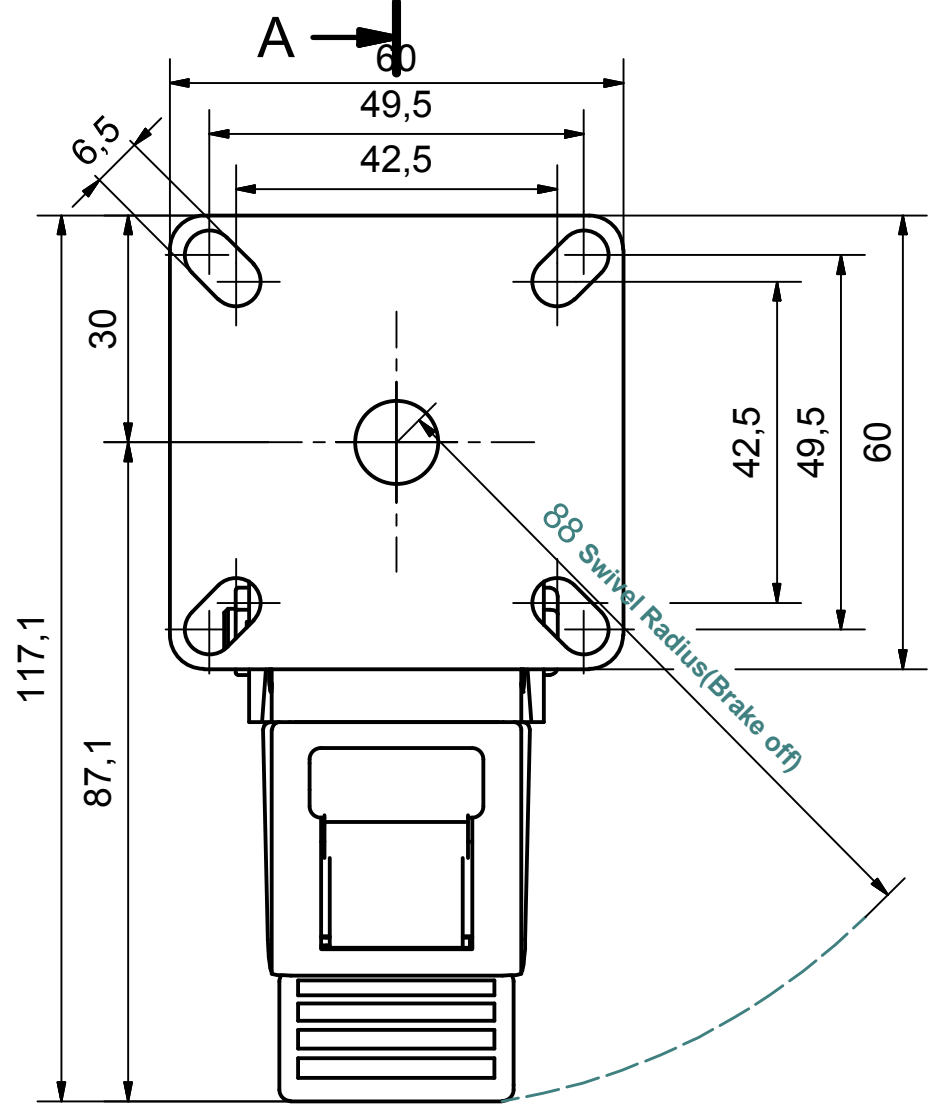



SECTION A-A'



Load Capacity: 50kg, for speed up to 4km/h
(According to EN 12530)



DETAIL i (Brake on)

 PRODUCTION OF INSTITUTIONAL CASTORS AND WHEELS THESSALONIKI - GREECE	PERMIS. VARIATIONS:		PART No:	
	SURFACE FINISH:		UNF . DIM.:	
This drawing is the property of RODA S.A. It must neither be reproduced in any manner nor shall it be submitted to third parties or competitors without our written consent	DESIGNED 25/6/2013 E.POLIMEROPOULOU	PART NAME : MX.050.TPA.TSBKGX		
	DRAWN 25/6/2013 E.POLIMEROPOULOU	PART DESCRIPTION : Swivel+brake castor, stainless support, top plate fitting.Wheel 50x24mm,non marking grey rubber (82shA) plain bearing,stainless		
	CHECKED 25/6/2013 H.SAATZOGLU	DRAWING NUMBER :		
C3 B2 A1 A/A	QUANTITY REPLACE :	SCALE	SHEET No.	
		GEN. DWG. NUM. :		