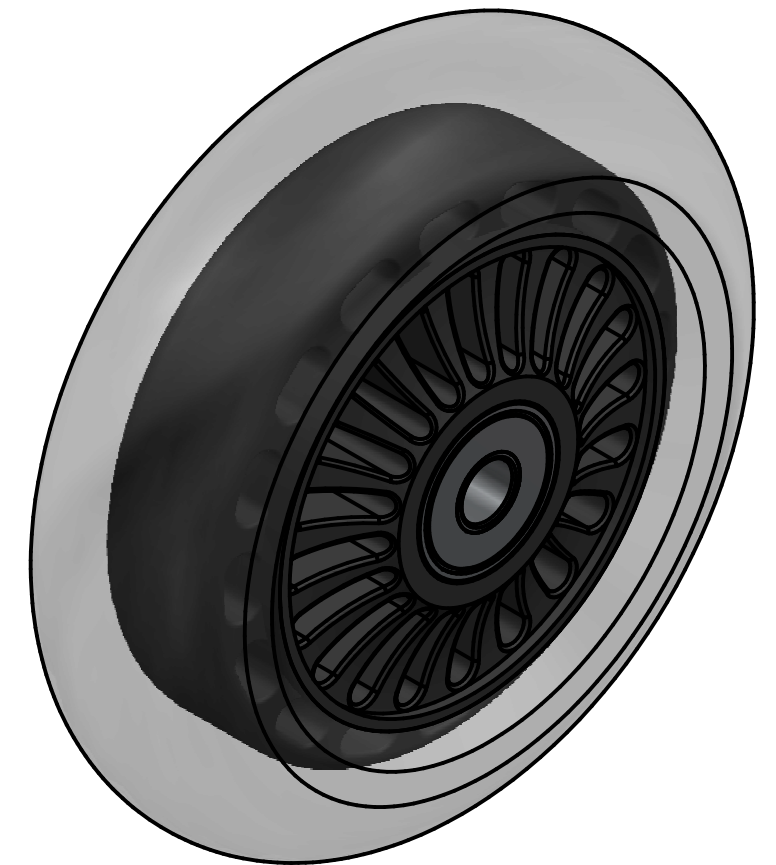



SECTION A-A



Loading Capacity : 60Kg for speed up to 4Km/h
(according to EN12530:1998)

 THESSALONIKI - GREECE	PRODUCTION OF INSTITUTIONAL CATRORS AND WHEELS	PERMIS. VARIATIONS:	PART No:	
		SURFACE FINISH:	UNF. DIM.:	
This drawing is the property of RODA S.A. It must neither be reproduced in any manner nor shall it be submitted to third parties or competitors without our written consent	DESIGNED	12/7/2021	ALISANDRATOS S.	
	DRAWN	12/7/2021	ALISANDRATOS S.	
	CHECKED	12/7/2021	SAATSOGLU H.	
			MATERIAL : Rim : PP6 Tread : Pu-Silicone	
			PART DESCRIPTION : MI100SPUS8T	
C3			DRAWING	SHEET No.
B2				
A1			QUANTITY	SCALE
A/A				
			REPLACE	GEN. DWG. NUM. :