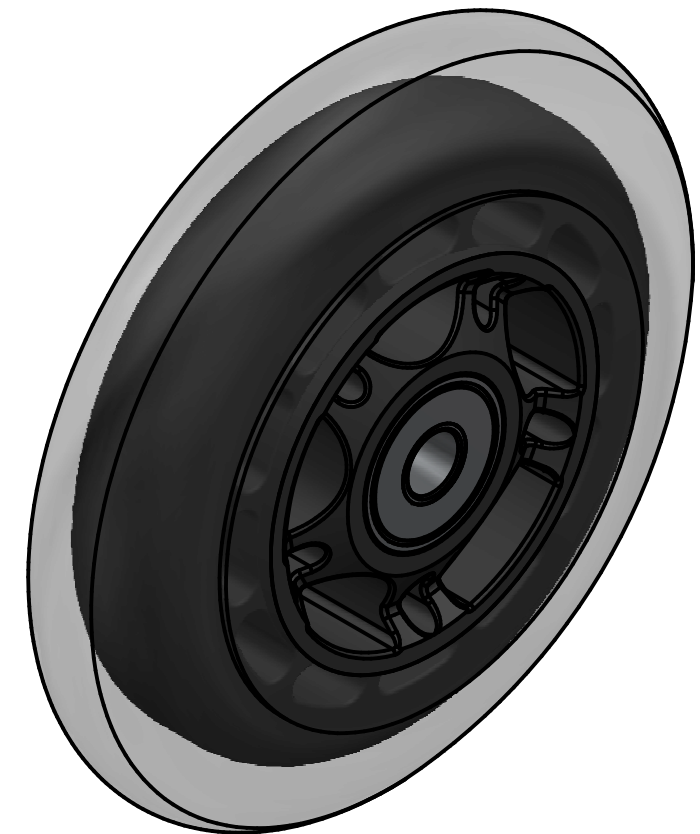



SECTION A-A



Loading Capacity : 50Kg for speed up to 4Km/h
(according to EN12530:1998)

 PRODUCTION OF INSTITUTIONAL CATRORS AND WHEELS THESSALONIKI - GREECE	PERMIS. VARIATIONS:		PART No:	
	SURFACE FINISH:		UNF. DIM.:	
This drawing is the property of RODA S.A. It must neither be reproduced in any manner nor shall it be submitted to third parties or competitors without our written consent	DESIGNED	12/7/2021	ALISANDRATOS S.	MATERIAL : Rim : PP6 Tread : Pu-Silicone PART DESCRIPTION : MI100PUS8T
	DRAWN	12/7/2021	ALISANDRATOS S.	
	CHECKED	12/7/2021	SAATSOGLU H.	
C3				DRAWING
B2				
A1				SHEET No.
A/A				
		QUANTITY	SCALE	GEN. DWG. NUM. :
		REPLACE		