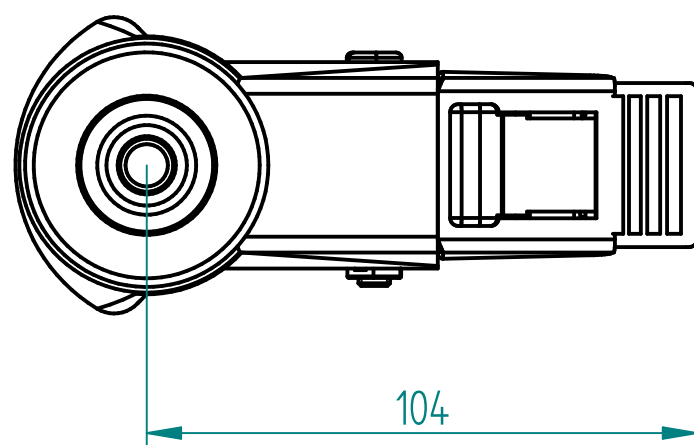
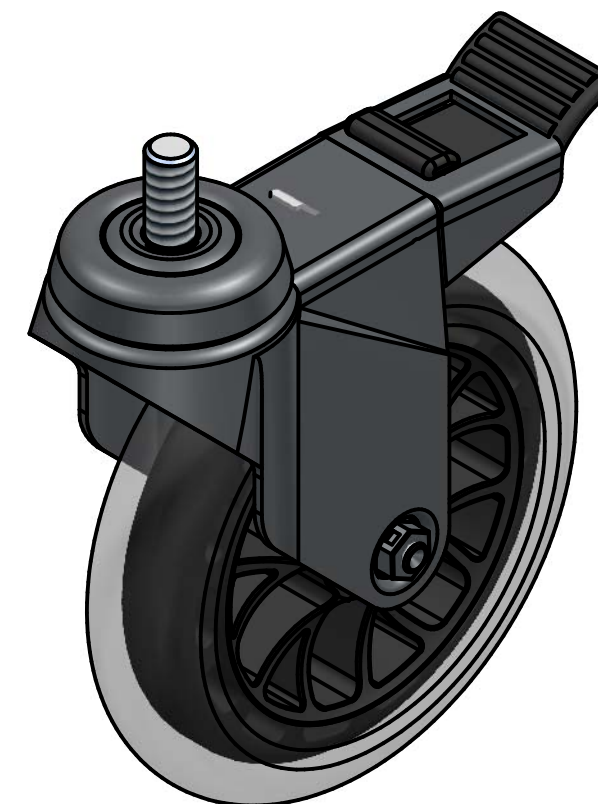



SECTION A-A



Load Capacity : 60Kg, for speed up to 4Km/h
(according to EN12530:1998)

 PRODUCTION OF INSTITUTIONAL CASTORS AND WHEELS THESSALONIKI - GREECE This drawing is the property of RODA S.A. It must neither be reproduced in any manner nor shall it be submitted to third parties or competitors without our written consent	PERMIS. VARIATIONS:		PART No:	
	SURFACE FINISH:		UNF. DIM.:	
				MATERIAL : Swivel castor with brake, steel support, bolt stem M10x20mm, Wheel 120x26mm, non marking PU (85ShA), ball bearing.
		DESIGNED 13/7/2021 ALISANDRATOS S.	PART DESCRIPTION : M125PUSBSBK	
		DRAWN 13/7/2021 ALISANDRATOS S.		
		CHECKED 13/7/2021 SAATSOGLU H.		
C3			QUANTITY	SCALE
B2				
A1				
A/A			REPLACE	SHEET No.
			DRAWING	
			GEN. DWG. NUM. :	