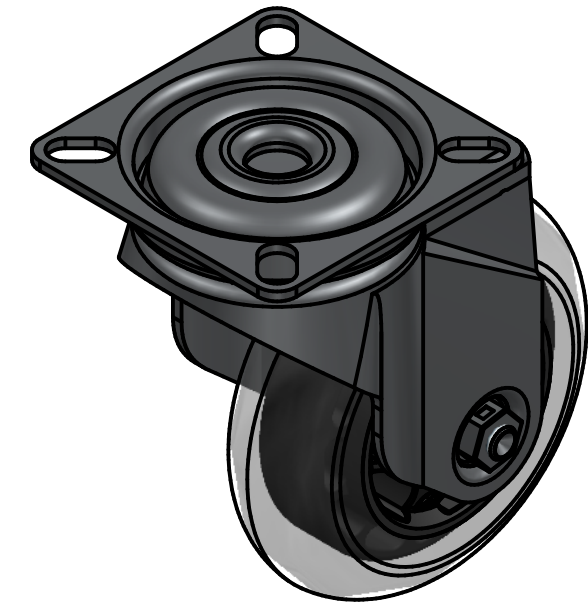
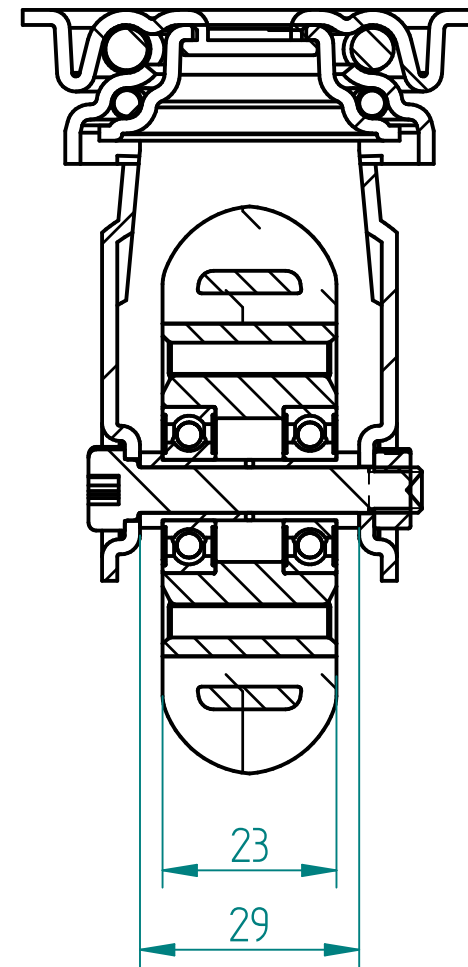



SECTION A-A



Load Capacity : 35Kg, for speed up to 4Km/h
(according to EN12530:1998)

	PRODUCTION OF INSTITUTIONAL CASTORS AND WHEELS THESSALONIKI - GREECE	PERMIS. VARIATIONS:	PART No:
		SURFACE FINISH:	UNF. DIM.:
This drawing is the property of RODA S.A. It must neither be reproduced in any manner nor shall it be submitted to third parties or competitors without our written consent	DESIGNED	13/7/2021	ALISANDRATOS S.
	DRAWN	13/7/2021	ALISANDRATOS S.
	CHECKED	13/7/2021	SAATSOGLU H.
			MATERIAL : Swivel castor, steel support, top plate fitting. Wheel 75x23mm, non marking PU (85ShA), ball bearing.
			PART DESCRIPTION : M075PUSTS
C3			DRAWING
B2			
A1			SHEET No.
A/A			
	QUANTITY	SCALE	GEN. DWG. NUM. :
	REPLACE		