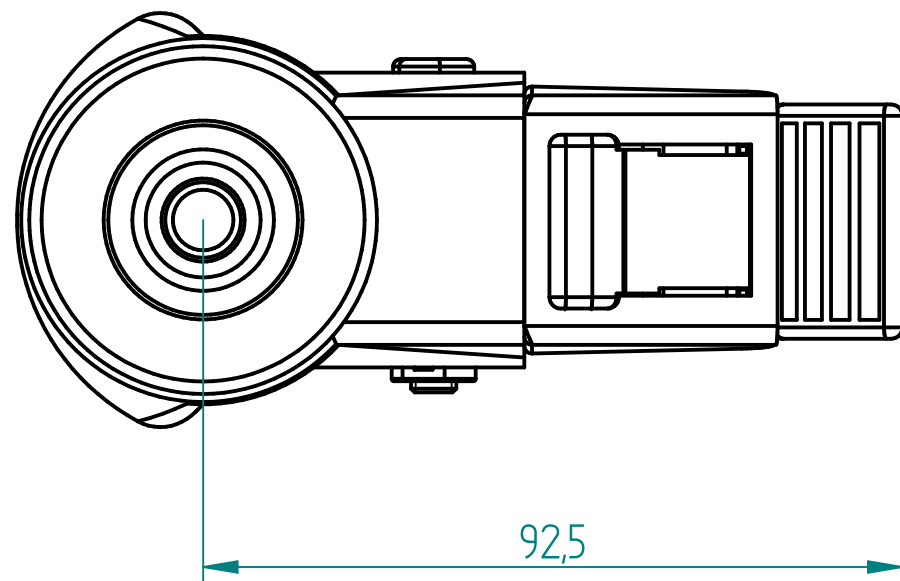
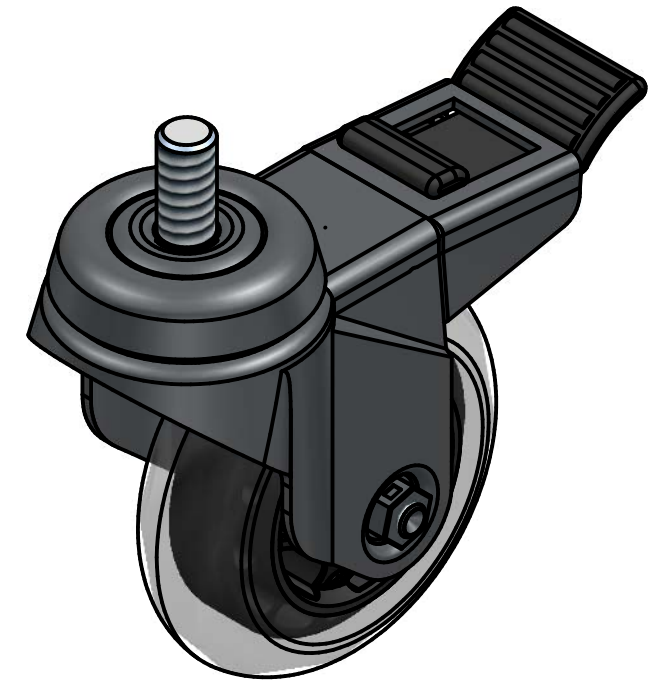



SECTION A-A



Load Capacity : 35Kg, for speed up to 4Km/h  
(according to EN12530:1998)

|   |                     |           |                 |   |
|---|---------------------|-----------|-----------------|---|
| <br>PRODUCTION OF INSTITUTIONAL CASTORS AND WHEELS<br>THESSALONIKI - GREECE            | PERMIS. VARIATIONS: |           | PART No:        |   |
|   | SURFACE FINISH:     |           | UNF. DIM.:      |   |
| This drawing is the property of RODA S.A. It must neither be reproduced in any manner nor shall it be submitted to third parties or competitors without our written consent | DESIGNED            | 13/7/2021 | ALISANDRATOS S. | MATERIAL :<br>Swivel castor with brake, steel support, bolt stem M10x20mm. Wheel 75x23mm, non marking PU (85ShA), ball bearing. |
|   | DRAWN               | 13/7/2021 | ALISANDRATOS S. |   |
|   | CHECKED             | 13/7/2021 | SAATSOGLOU H.   |   |
| C3<br>B2<br>A1<br>A/A   |                     |           |                 | PART DESCRIPTION :<br><b>M075PUSBSBK</b>  |
| QUANTITY  |                     | SCALE     |                 | DRAWING   |
| REPLACE   |                     |           |                 | SHEET No.   |
| GEN. DWG. NUM. :  |                     |           |                 |   |