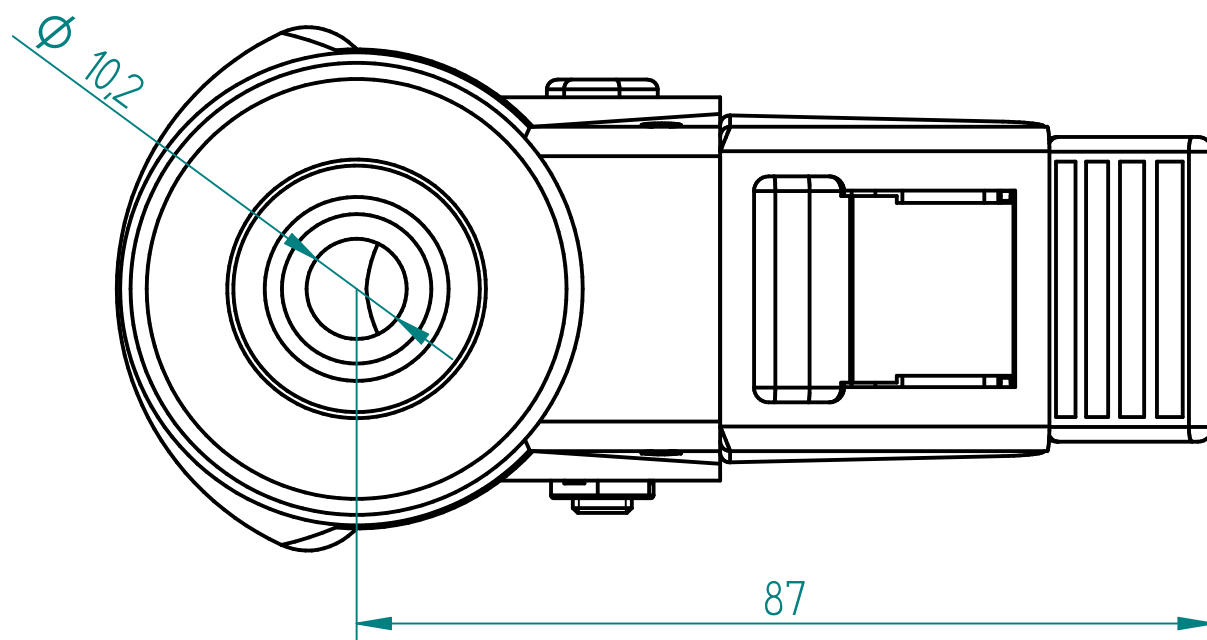
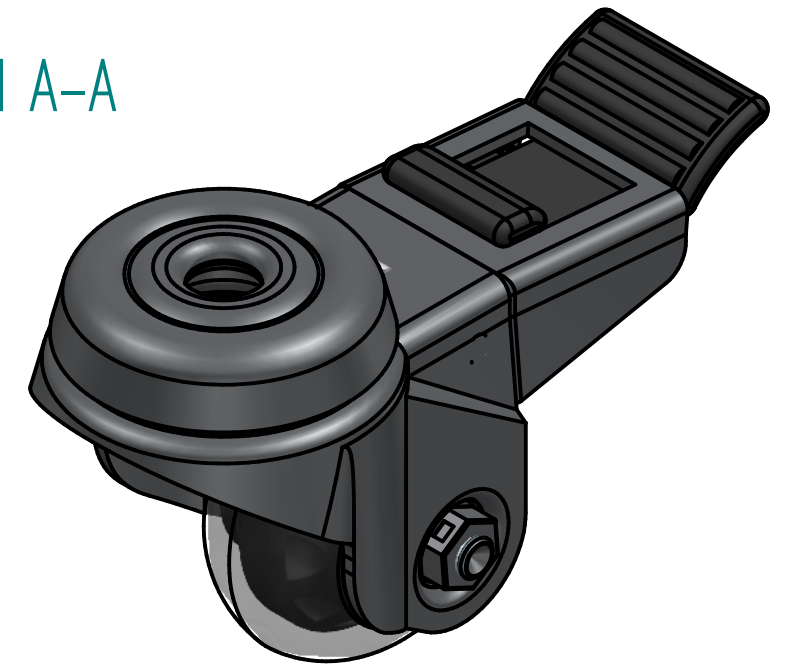



SECTION A-A



Load Capacity : 25Kg, for speed up to 4Km/h
(according to EN12530:1998)

	PRODUCTION OF INSTITUTIONAL CASTORS AND WHEELS		PERMIS. VARIATIONS:	PART No:			
	THESSALONIKI - GREECE		SURFACE FINISH:	UNF. DIM.:			
This drawing is the property of RODA S.A. It must neither be reproduced in any manner nor shall it be submitted to third parties or competitors without our written consent			DESIGNED	13/7/2021	ALISANDRATOS S.	MATERIAL : Swivel castor with brake, steel support, bolt hole 10mm. Wheel 48x23mm, non marking PU (85ShA), ball bearing.	
			DRAWN	13/7/2021	ALISANDRATOS S.		PART DESCRIPTION : M050PUSHSBK
			CHECKED	13/7/2021	SAATSOGLU H.		
C3			QUANTITY	SCALE	DRAWING	SHEET No.	
B2			REPLACE		GEN. DWG. NUM. :		
A1							
A/A							