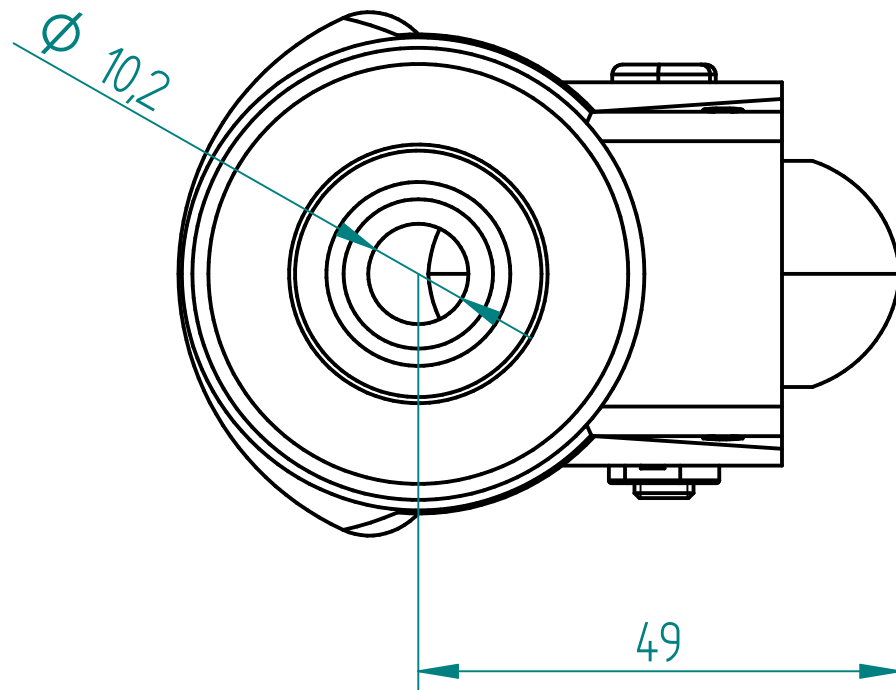
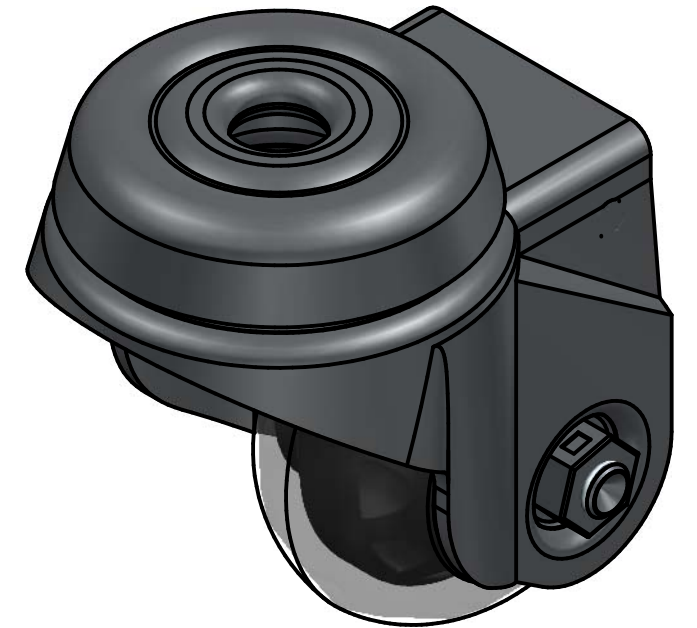
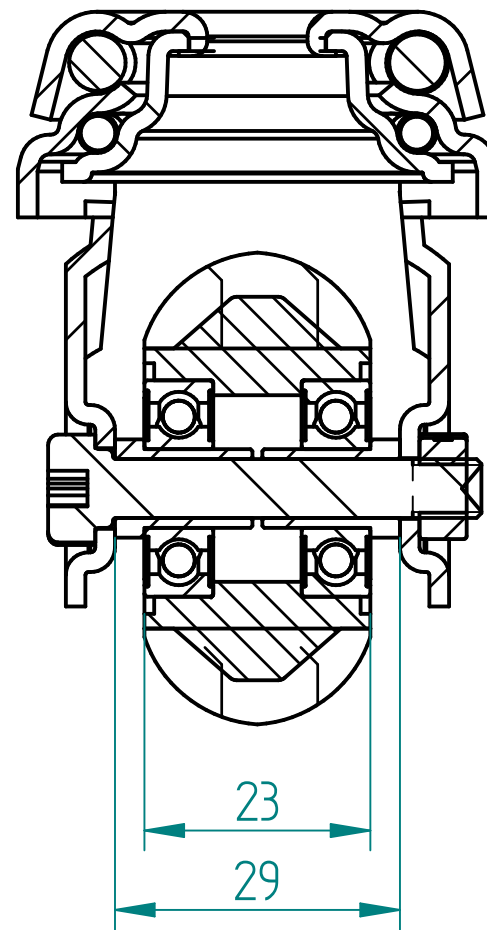



SECTION A-A



Load Capacity : 25Kg, for speed up to 4Km/h
(according to EN12530:1998)

	PRODUCTION OF INSTITUTIONAL CASTORS AND WHEELS	PERMIS. VARIATIONS:		PART No:		
		SURFACE FINISH:		UNF. DIM.:		
THESSALONIKI - GREECE				MATERIAL : Swivel castor, steel support, bolt hole 10mm. Wheel 48x23mm, non marking PU (85ShA), ball bearing.		
This drawing is the property of RODA S.A. It must neither be reproduced in any manner nor shall it be submitted to third parties or competitors without our written consent		DESIGNED	13/7/2021	ALISANDRATOS S.	PART DESCRIPTION : M050PUSHS	
		DRAWN	13/7/2021	ALISANDRATOS S.		
		CHECKED	13/7/2021	SAATSOGLOU H.		
C3				QUANTITY	SCALE	DRAWING
B2				REPLACE		SHEET No.
A1						GEN. DWG. NUM. :
A/A						