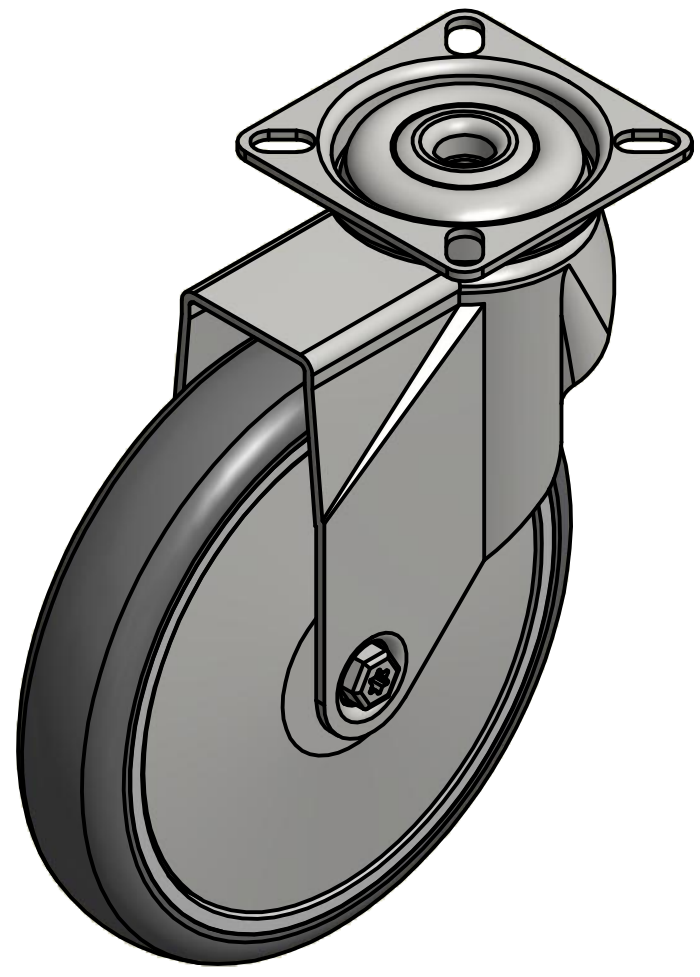
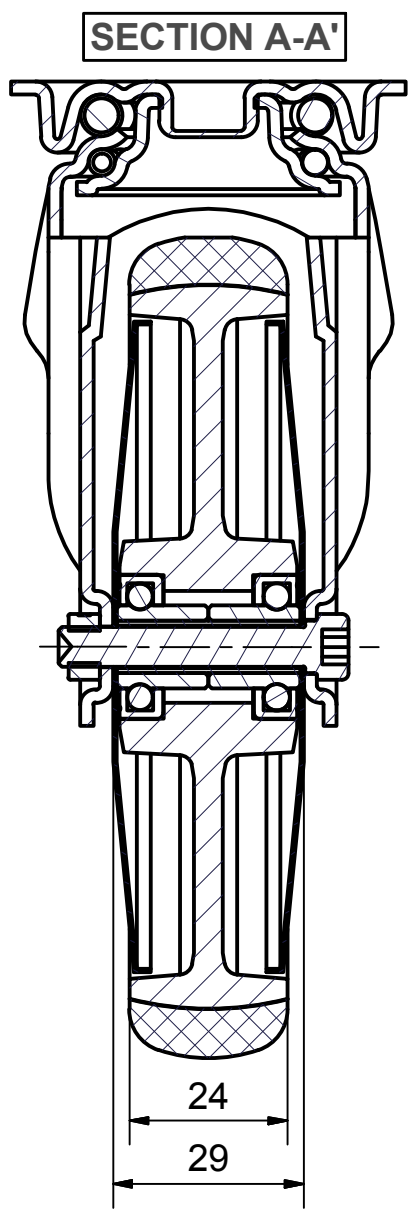
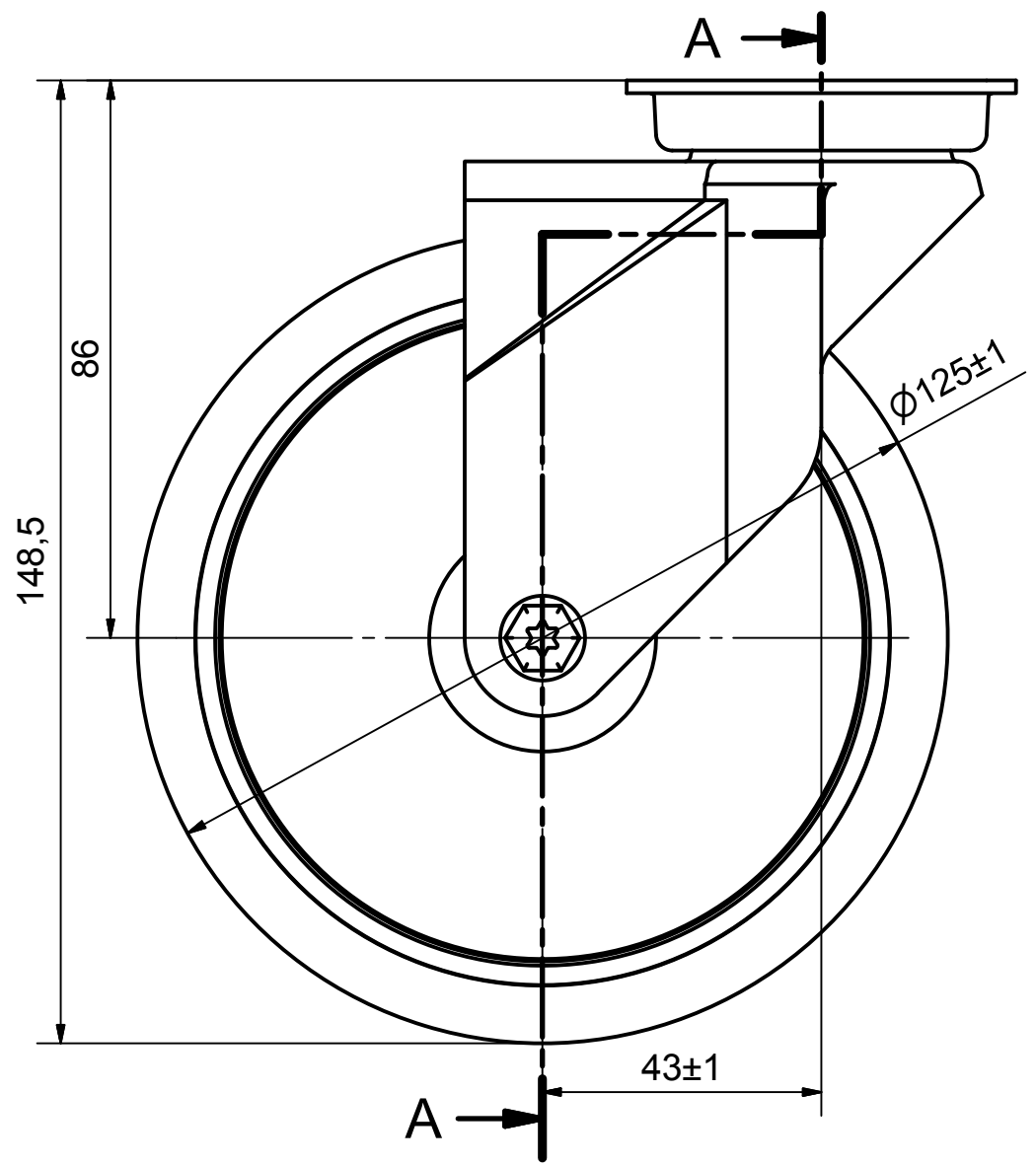
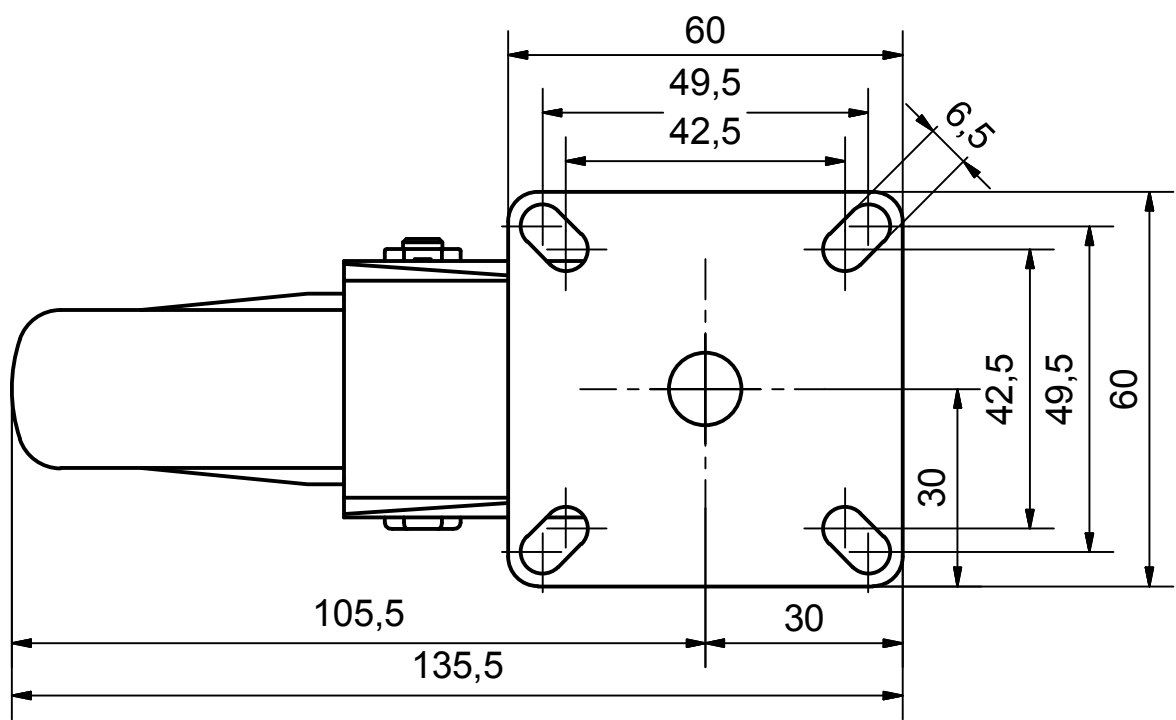



6 5 4 3 2 1

D
C
B
A



**Load Capacity: 80kg, for speed up to 4km/h
(According to EN 12530)**



 PRODUCTION OF INSTITUTIONAL CASTORS AND WHEELS THESSALONIKI - GREECE	PERMIS. VARIATIONS:		PART No:	
	SURFACE FINISH:		UNF . DIM.:	
This drawing is the property of RODA S.A. It must neither be reproduced in any manner nor shall it be submitted to third parties or competitors without our written consent	DESIGNED 11/7/2013 E.POLIMEROPOULOU	PART NAME : M.125.TPC.TSG		
	DRAWN 11/7/2013 E.POLIMEROPOULOU	PART DESCRIPTION : Swivel castor, steel support, top plate fitting.Wheel 125x24mm,non marking grey rubber (82shA) double ball bearings,steel threa		
	CHECKED 11/7/2013 H.SAATSOGLOU	DRAWING NUMBER :		
C3 B2 A1 A/A	QUANTITY	SCALE	SHEET No.	
REPLACE :		GEN. DWG. NUM. :		

6 5 4 3 2 1