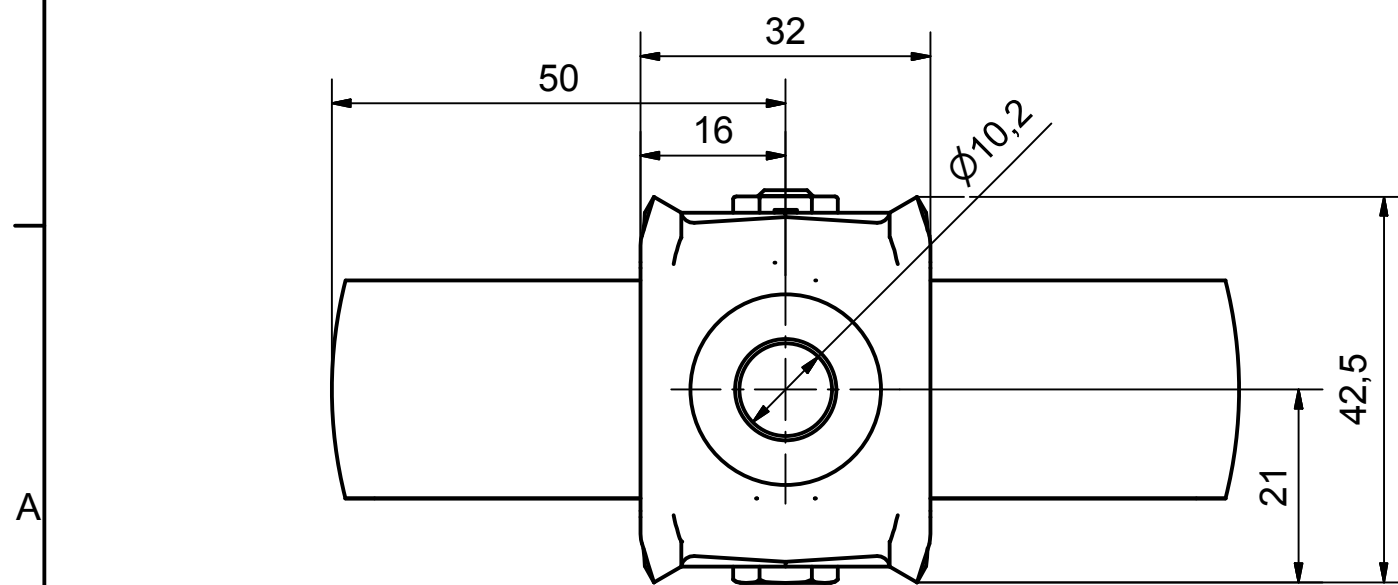



Load Capacity: 70kg, for speed up to 4km/h  
(According to EN 12530)



	PRODUCTION OF INSTITUTIONAL CASTORS AND WHEELS  THESSALONIKI - GREECE	PERMIS. VARIATIONS:		PART No:	
		SURFACE FINISH :		UNF . DIM.:	
This drawing is the property of RODA S.A. It must neither be reproduced in any manner nor shall it be submitted to third parties or competitors without our written consent		DESIGNED 9/7/2013 E.POLIMEROPOULOU	PART NAME : <b>M.100.PA.HF</b>		
		DRAWN 9/7/2013 E.POLIMEROPOULOU	PART DESCRIPTION : <b>Fixed castor, steel support, bolt hole fitting (10,2mm).Wheel 100x24mm,black polypropylene plain bearing</b>		
		CHECKED 9/7/2013 H.SAATZOGLOU	DRAWING NUMBER :		SHEET No.
C3			QUANTITY	SCALE	
B2			REPLACE :	GEN. DWG. NUM. :	
A1					
A/A					