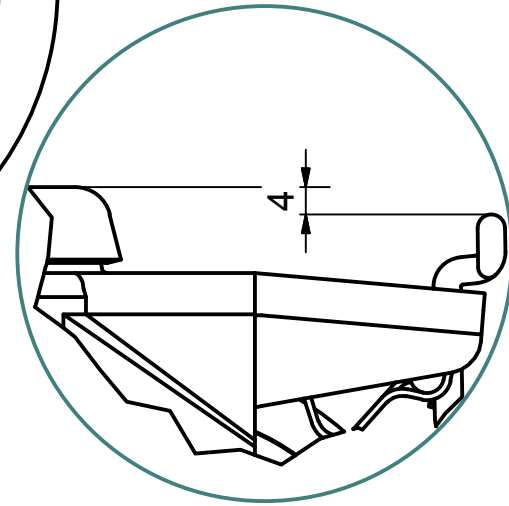
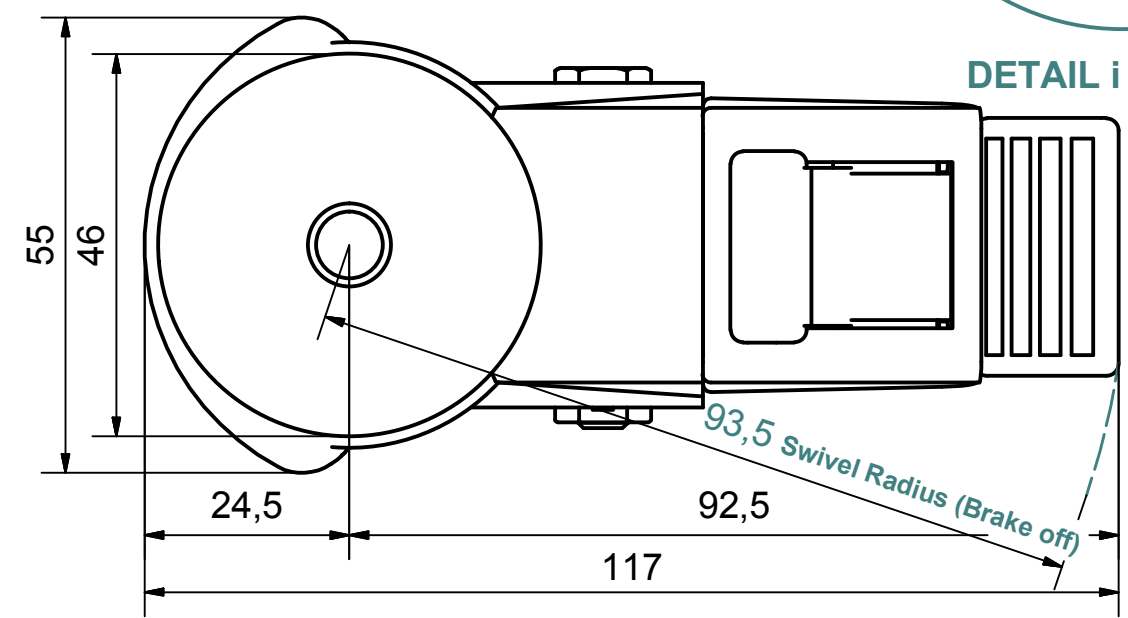



Load Capacity: 60kg, for speed up to 4km/h
(According to EN 12530)



DETAIL i (Brake on)



	PRODUCTION OF INSTITUTIONAL CASTORS AND WHEELS		PERMIS. VARIATIONS:	PART No:
	THESSALONIKI - GREECE		SURFACE FINISH :	UNF . DIM.:
This drawing is the property of RODA S.A. It must neither be reproduced in any manner nor shall it be submitted to third parties or competitors without our written consent			DESIGNED 4/7/2013 E.POLIMEROPOULOU DRAWN 4/7/2013 E.POLIMEROPOULOU CHECKED 4/7/2013 H.SAATZOGLOU	PART NAME : M.075.NNA.BSBK
C3 B2 A1 A/A	QUANTITY REPLACE :	SCALE	PART DESCRIPTION : Swivel+brake castor, steel support, bolt stem M10X20mm.Wheel 75x24mm,white polyamide plain bearing	
			DRAWING NUMBER :	SHEET No.
			GEN. DWG. NUM. :	