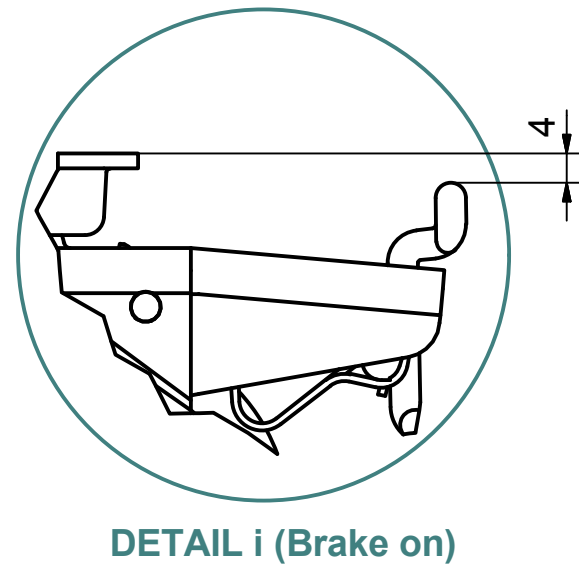
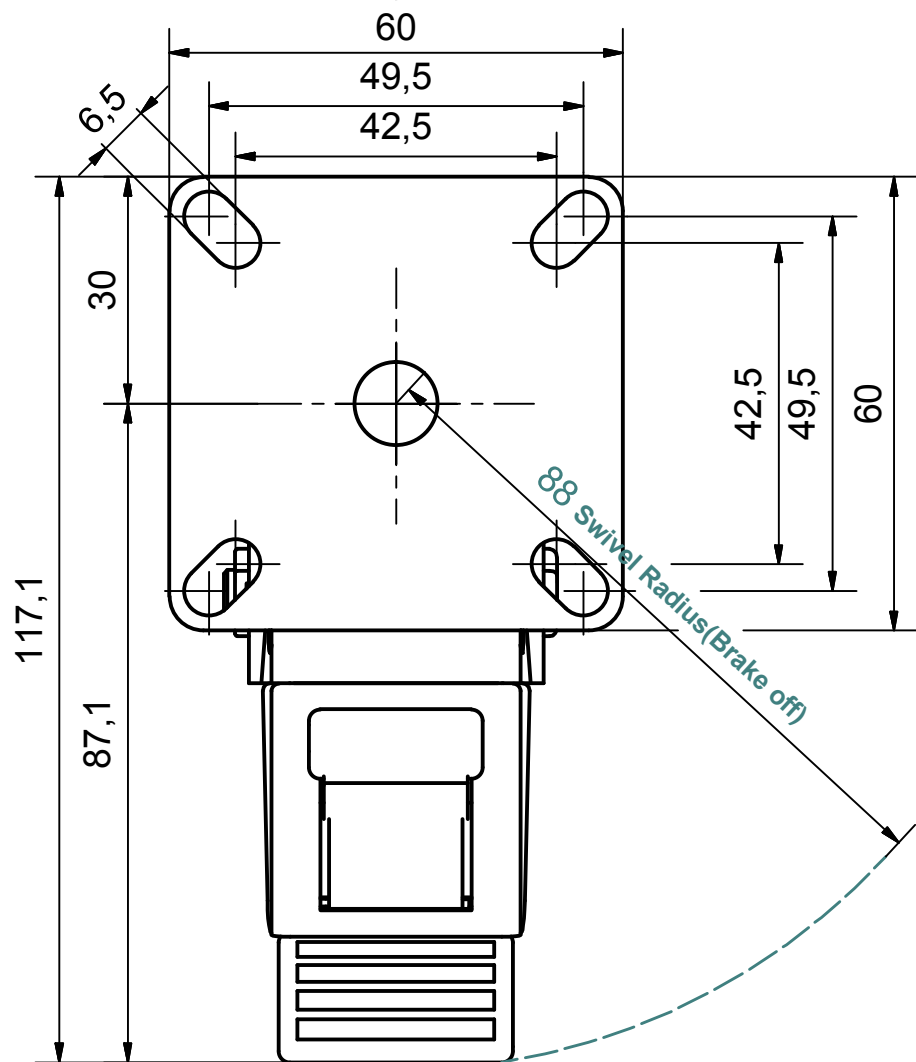



Load Capacity: 50kg, for speed up to 4km/h
(According to EN 12530)



 PRODUCTION OF INSTITUTIONAL CASTORS AND WHEELS THESSALONIKI - GREECE	PERMIS. VARIATIONS:		PART No:	
	SURFACE FINISH:		UNF . DIM.:	
This drawing is the property of RODA S.A. It must neither be reproduced in any manner nor shall it be submitted to third parties or competitors without our written consent	DESIGNED	25/6/2013	E.POLIMEROPOULOU	
	DRAWN	25/6/2013	E.POLIMEROPOULOU	
	CHECKED	25/6/2013	H.SAATZOGLOU	
PART DESCRIPTION : Swivel+brake castor, steel support, top plate fitting.Wheel 50x24mm,non marking grey rubber (82shA) plain bearing,steel threadg			PART NAME : M.050.TPA.TSBKG	
C3 B2 A1 A/A		QUANTITY REPLACE :	SCALE DRAWING NUMBER : GEN. DWG. NUM. :	SHEET No.