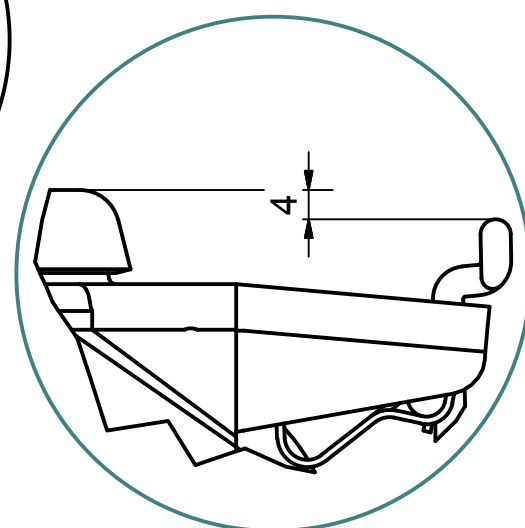
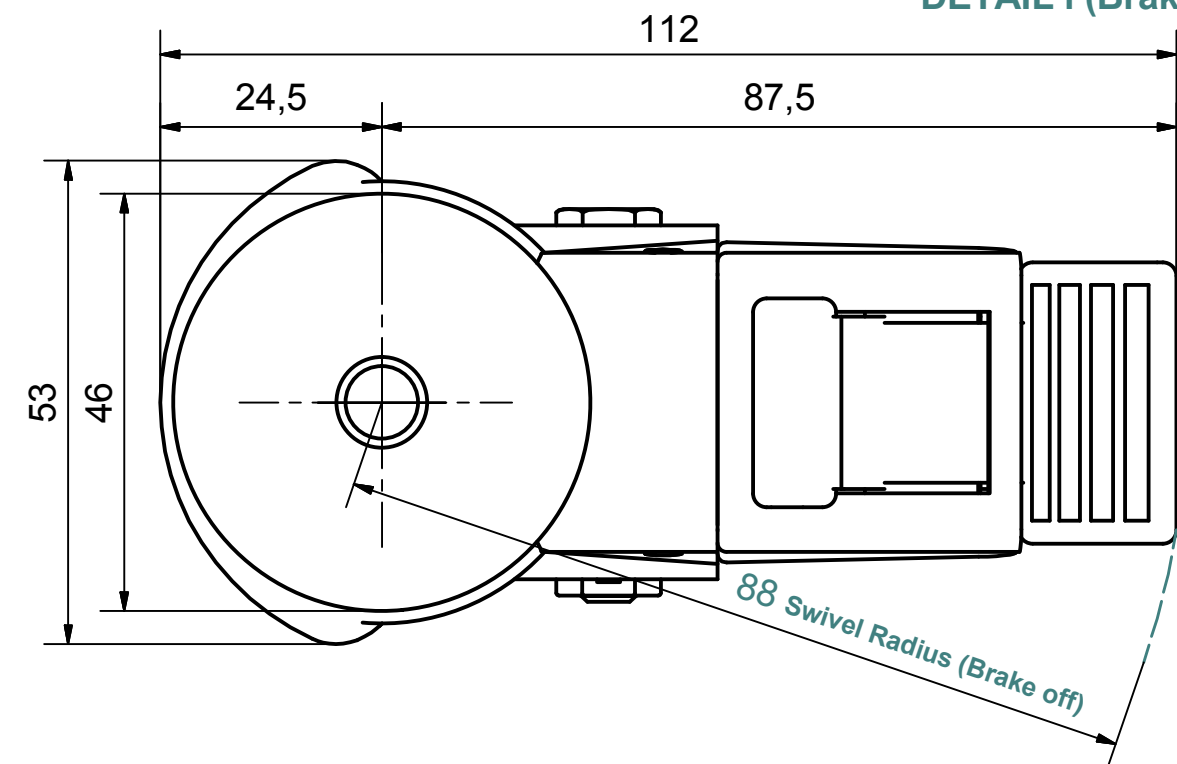



Load Capacity: 50kg, for speed up to 4km/h  
(According to EN 12530)



DETAIL i (Brake on)



 PRODUCTION OF INSTITUTIONAL CASTORS AND WHEELS THESSALONIKI - GREECE	PERMIS. VARIATIONS:		PART No:		
	SURFACE FINISH:		UNF . DIM.:		
This drawing is the property of RODA S.A. It must neither be reproduced in any manner nor shall it be submitted to third parties or competitors without our written consent	DESIGNED	8/8/2013	E.POLIMEROPOULOU	PART NAME : <b>M.050.NA.BSBK</b>  PART DESCRIPTION : <b>Swivel+brake castor, steel support, bolt stem M10X20mm.Wheel 50x24mm,white polyamide plain bearing</b>	
	DRAWN	8/8/2013	E.POLIMEROPOULOU		
	CHECKED	8/8/2013	H.SAATSOGLOU		
C3				DRAWING NUMBER :	
B2					SHEET No.
A1				QUANTITY	SCALE
A/A				REPLACE :	GEN. DWG. NUM. :